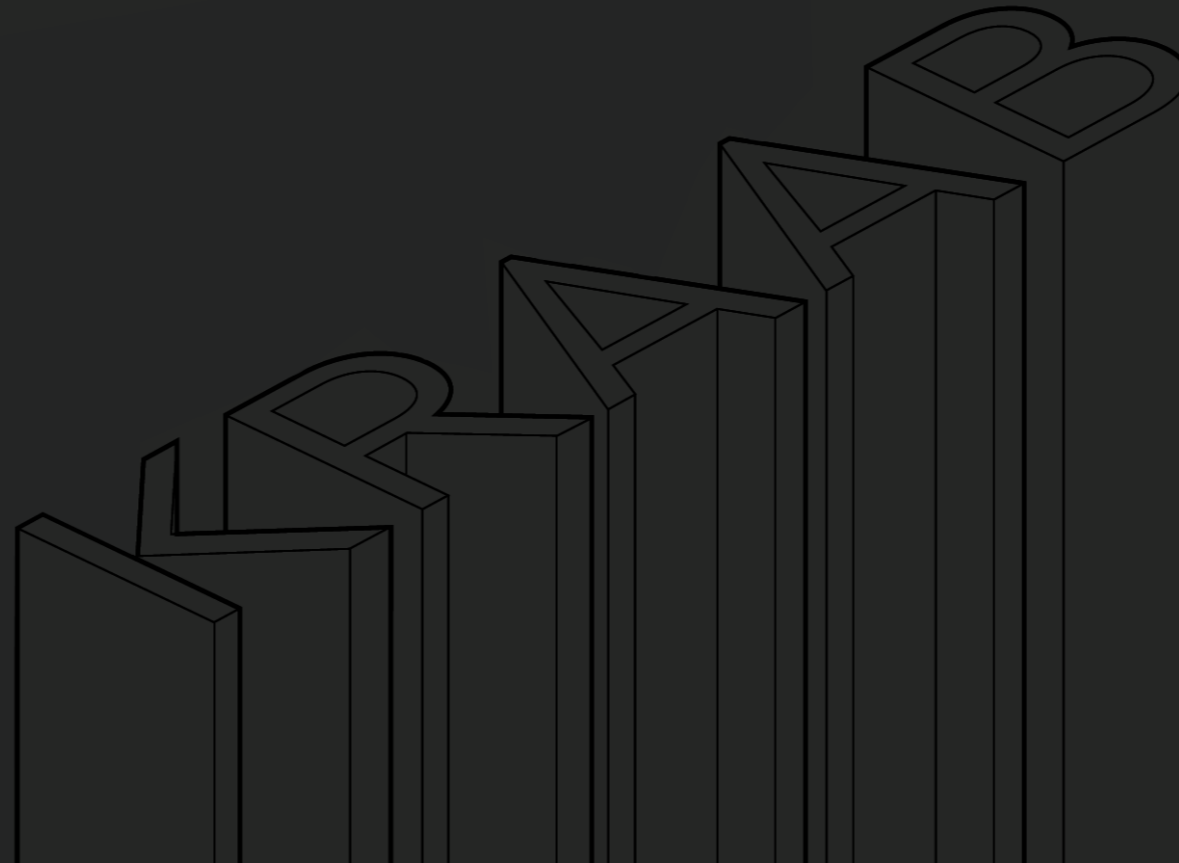


FIND YOURS

MARCH 2023

Stretch Ceilings
**PREMIUM
DESIGN**

**KRAAB
SYSTEMS**



ABOUT US

Profile systems from KRAAB SYSTEMS are fully integrated all-in-one interior solutions, consistent with modern design standards. The company possesses in-house production as well as in-house engineering & testing department. It has its own patents and over 80 business partners. The quality control is provided at all production stages.

PRODUCTS

SLIM 27

Profile systems with 27 mm maximum height

SLOTT

Profiles with SLOTT damper system

KRAAB

Harpoon profiles for PVC canvas

GIPPS

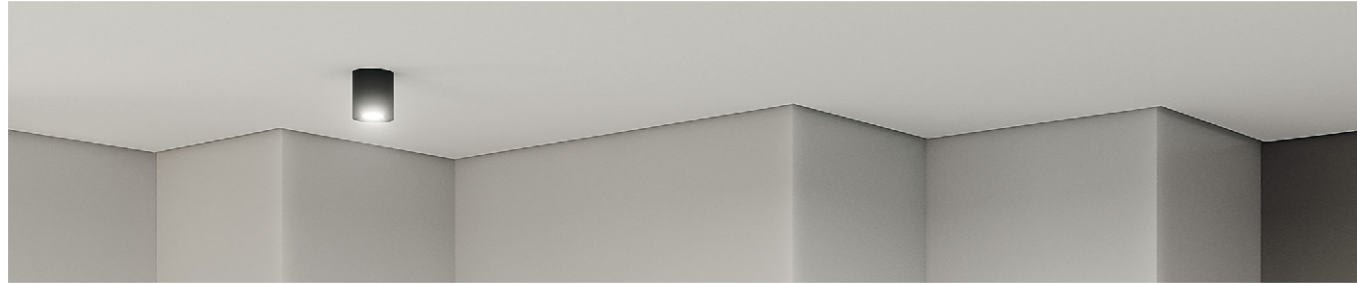
Profiles for drywall and general construction work



www.premiumdesign.ee

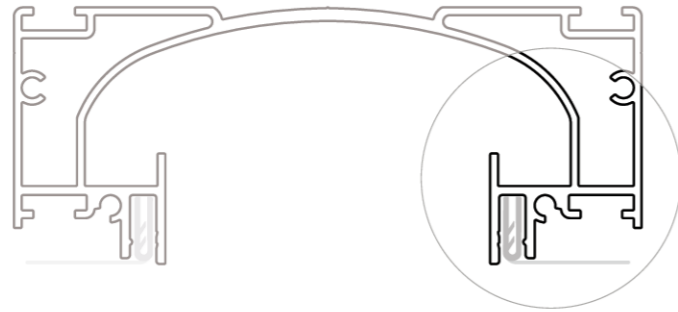
info@premiumdesign.ee

INNOVATIONS



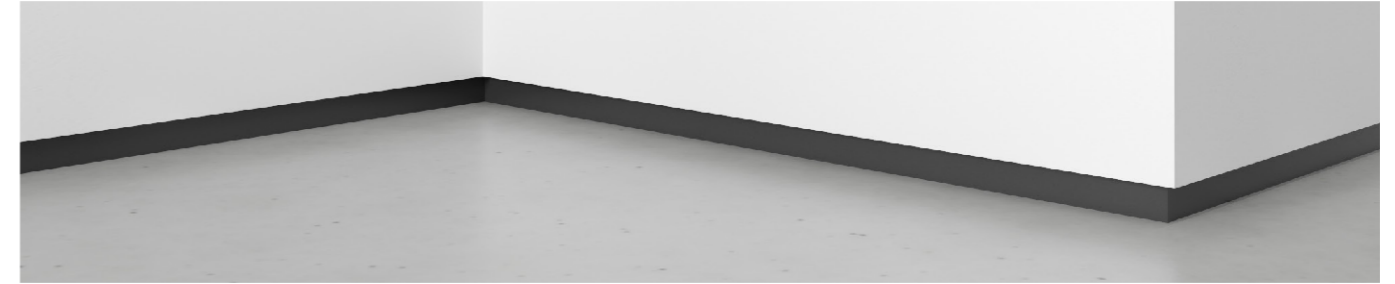
SHADOWLINE STRETCH CEILINGS

Profile systems EuroKraab and EuroSlott are used to implement clear and even shadow joints in stretch ceilings. The technology allows to create minimalistic interiors and get rid of the use of masking tape, inserts and other elements. The designs are made in such a way that the internal elements of the systems are concealed.



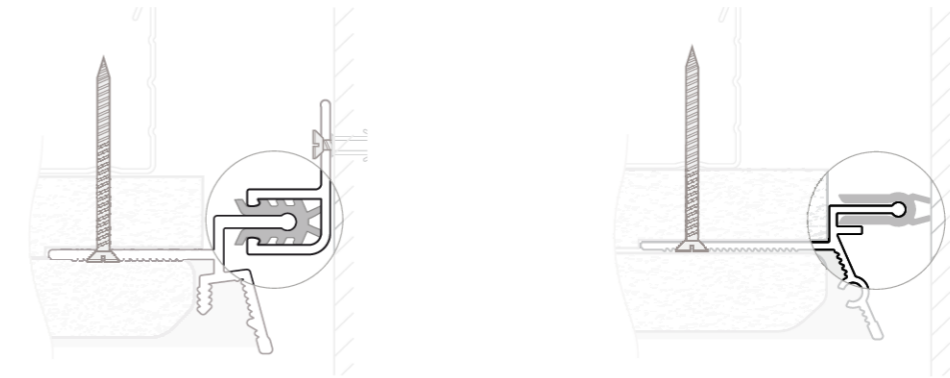
CANVAS MOUNTING SYSTEM

The SLOTT damper system is developed and patented by Kraab Systems for mounting a canvas in a profile. The canvas is held securely in place by installing it between the damper system and the solid counterpart. What makes this system different from the widely used harpoon system is that the canvas does not require special preparation and special cutting at factories, which shortens installation time and facilitates work. The damper system provides a gapless edge for canvas.



SHADOWLINE SKIRTING BOARDS FOR DRYWALL

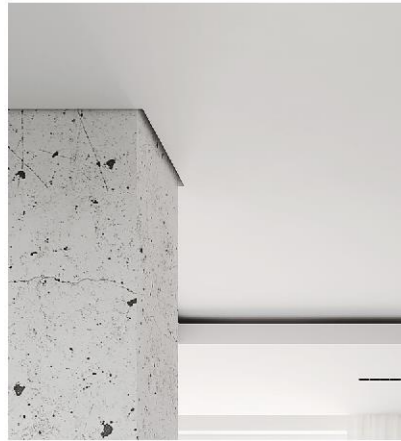
The KRAAB GIPPS shadowline gypsum board technology prevents linear expansion, forms an even gap and a perfect shadow joint. The metal outer corner prevents various chips and deformations in the wall or plaster.



DRYWALL PROTECTION SYSTEM

The drywall damper systems developed and patented by Kraab Systems prevent possible damage to gypsum boards that could occur when the board is rigidly attached to the surface. The damper system cushions adverse impacts on the structure, prevents cracks on the gypsum board and plaster, and provides increased stability against possible loads that could arise during operation.

CONTENT



PERIMETER

Shadowline ceiling	8-13
Floating ceiling	14-17
Tray ceiling with shadow gap	18-21
Separation profile	22-23



LIGHT

Track integration systems	24-27
SLOTT INTRUDER track integration systems	28-31
SLOTT CANYON light line	32-33
SLOTT recessed light line	34-35
SLOTT 35 recessed light line	36-37
Skylights	38-41
SLOTT recesses for luminaires	42-45



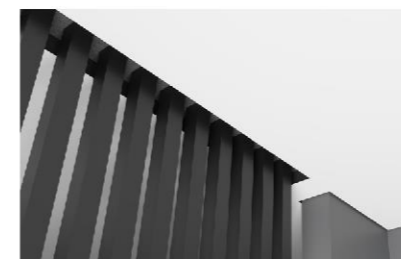
CURTAINS

SLOTT PARSEK curtain tracks	46-47
SLOTT track recesses	48-49
SLOTT MOTION electric curtain	50-53



VENTILATION

SLOTT 5+ (slot diffuser)	54-55
--------------------------	-------



RAILS & PANELS

SLOTT recesses for rails and panels	56-57
-------------------------------------	-------

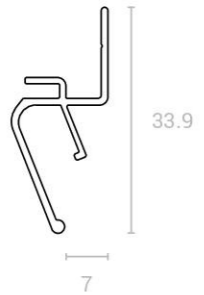
SHADOWLINE CEILING

Shadowline ceilings do not visually touch the walls, they have a clear shadow line. This solution is suitable for both smooth and textured walls, hence eliminating the need for masking tape.

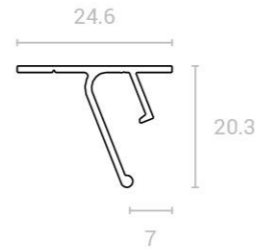
The gap between the ceiling and the wall creates an illusion of no contact between the ceiling and vertical surfaces. Because the profile is painted black, elements of the system are not visible.



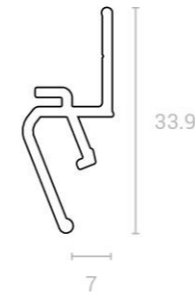
VR



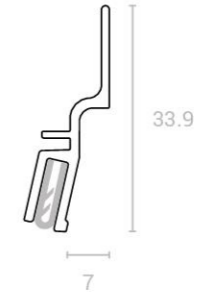
EUROKRAAB
Color: black
Material: aluminum
Compatible: PVC



**EUROKRAAB
(CEILING PROFILE)**
Color: black
Material: aluminum
Compatible: PVC



EUROKRAAB STRONG
Color: black
Material: aluminum
Compatible: PVC



EUROSLOTT
Color: black
Material: aluminum
Compatible: textile



8

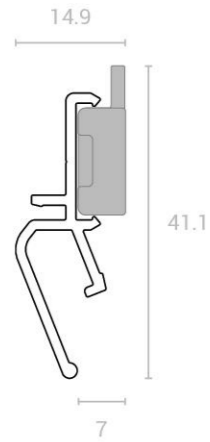


9

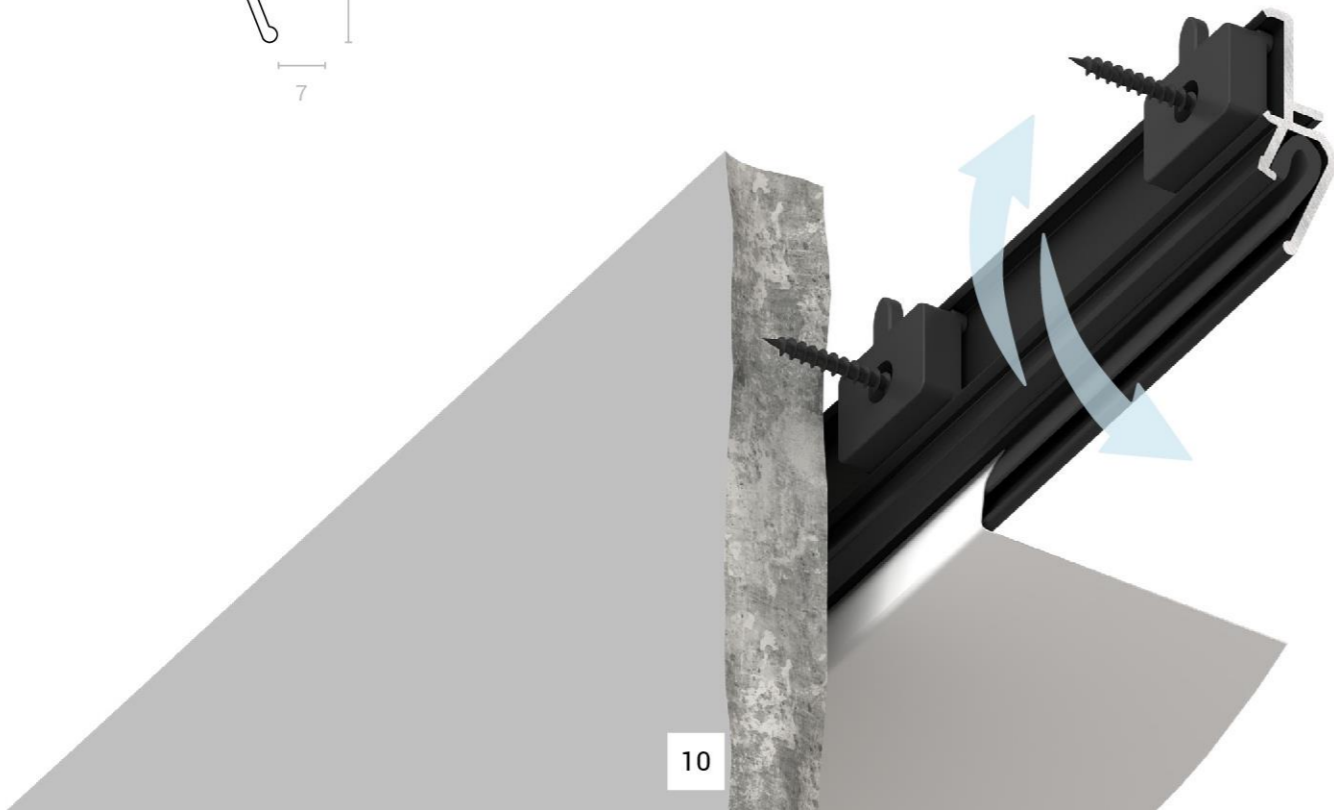
SHADOWLINE CEILING

AirKraab 2.0 (ventilation shadow gap profile). This solution balances air pressure and prevents the possibility of the canvas in the room from swaying. It is implemented using plastic spacers in the profile, which create a ventilation gap between the wall and the canvas.

AirKraab 2.0 interfaces well with the EuroKraab and EuroKraab Strong profiles. To achieve a positive result, AirKraab 2.0 must be applied on at least 10% of the room area.



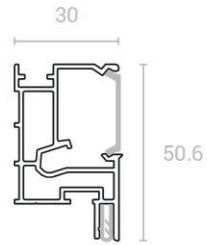
AIRKRAAB
Color: black
Material: aluminum
Compatible: PVC



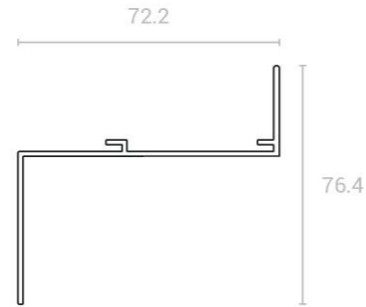


FLOATING CEILING

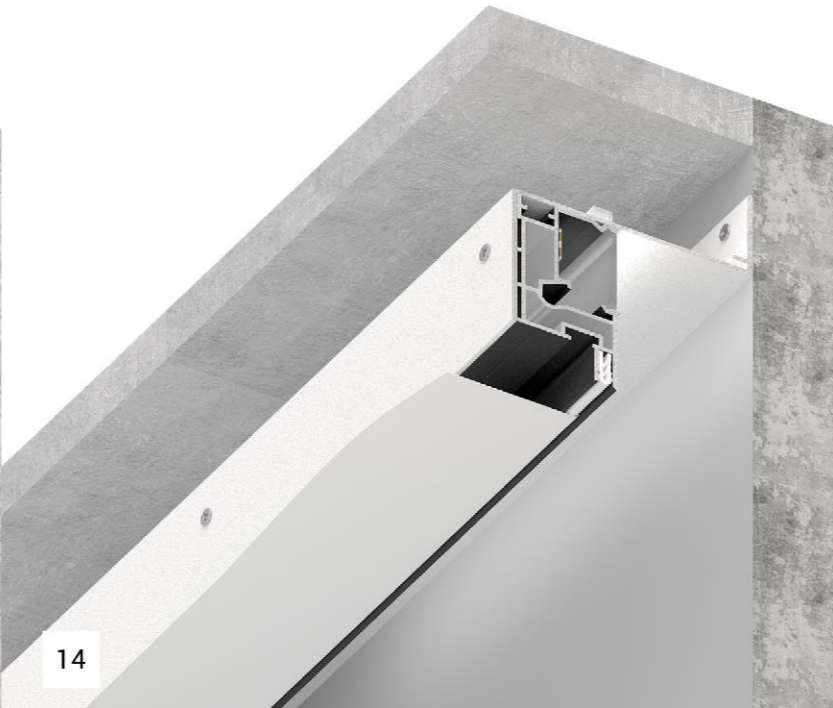
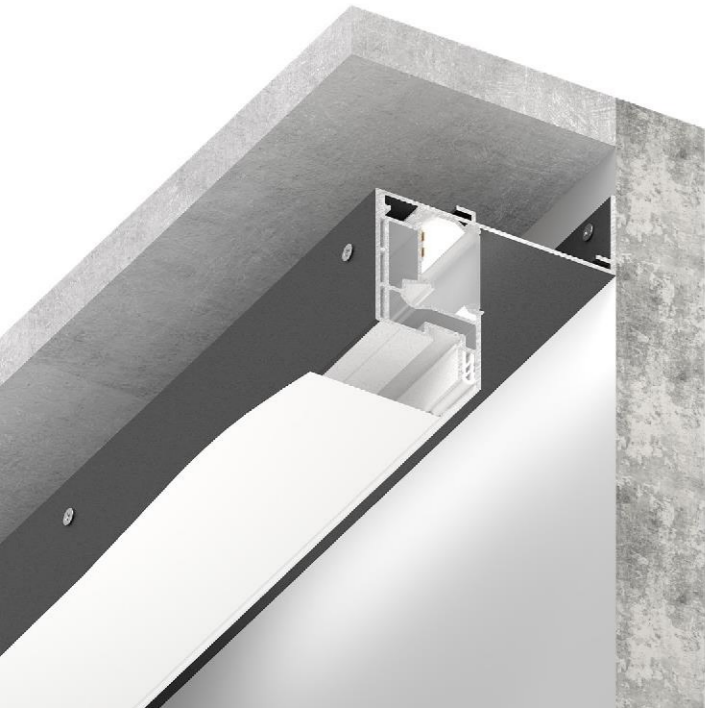
A LED strip, installed along the perimeter, and the profile mounting indented from the wall, create a "floating" effect. The indentation from the wall is adjustable and can be any. Due to the soft backlighting, the SLOTT VILLAR floating profile does not show wall unevenness, and it blends with mirrored or glossy walls.



SLOTT VILLAR KIT
Color: black, white
Material: aluminum
Compatible: textile, PVC

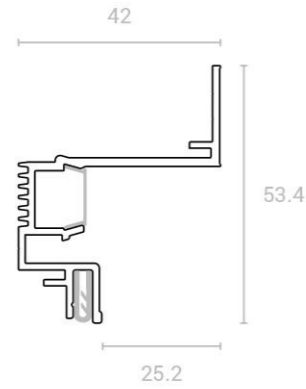


SLOTT VILLAR BASE
Color: black, white
Material: aluminum
Compatible: textile, PVC

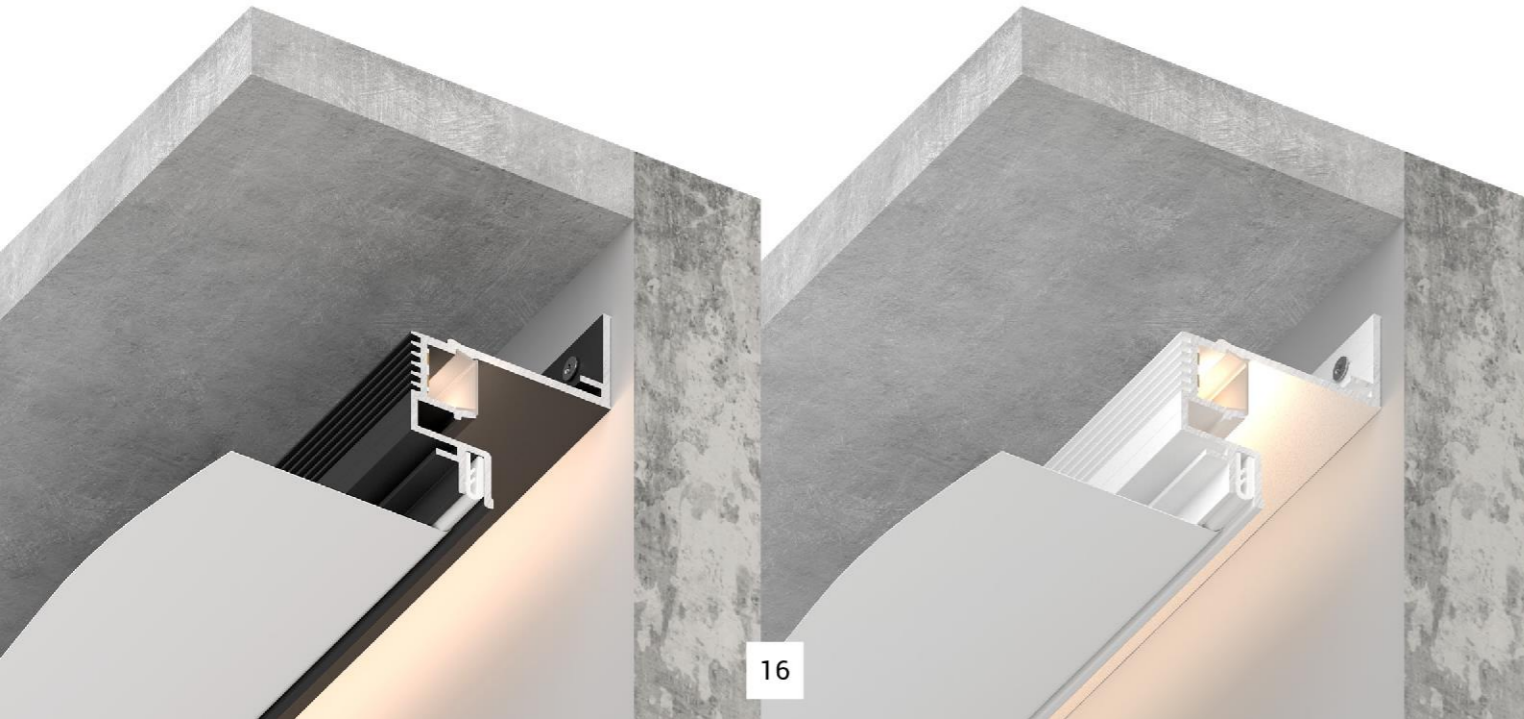


FLOATING CEILING

Floating profile Slott Villar mini is a self-supporting structure with a fixed 25 mm distance from the wall. The location of the diffuser is designed to create a soft light without accentuating wall irregularities.



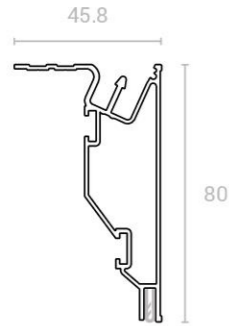
SLOTT VILLAR MINI
Color: black, white
Material: aluminum
Compatible: textile, PVC



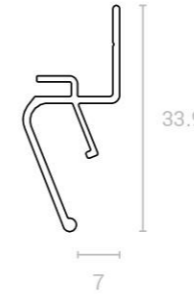
VR

TRAY CEILING WITH SHADOW GAP

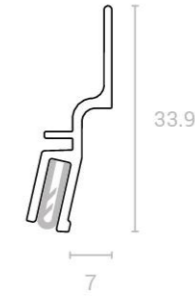
Shadow gap ceiling uses a combination of Slott 80 and EuroSlott or EuroKraab profiles. These profiles enable you to avoid bubbles and folds during installation, and to create an even shape with sharp corners. Such a ceiling design allows the room to be zoned or, conversely, allows to combine different functional areas.



SLOTT 80
Color: black, white, unpainted
Material: aluminum
Compatible: textile, PVC

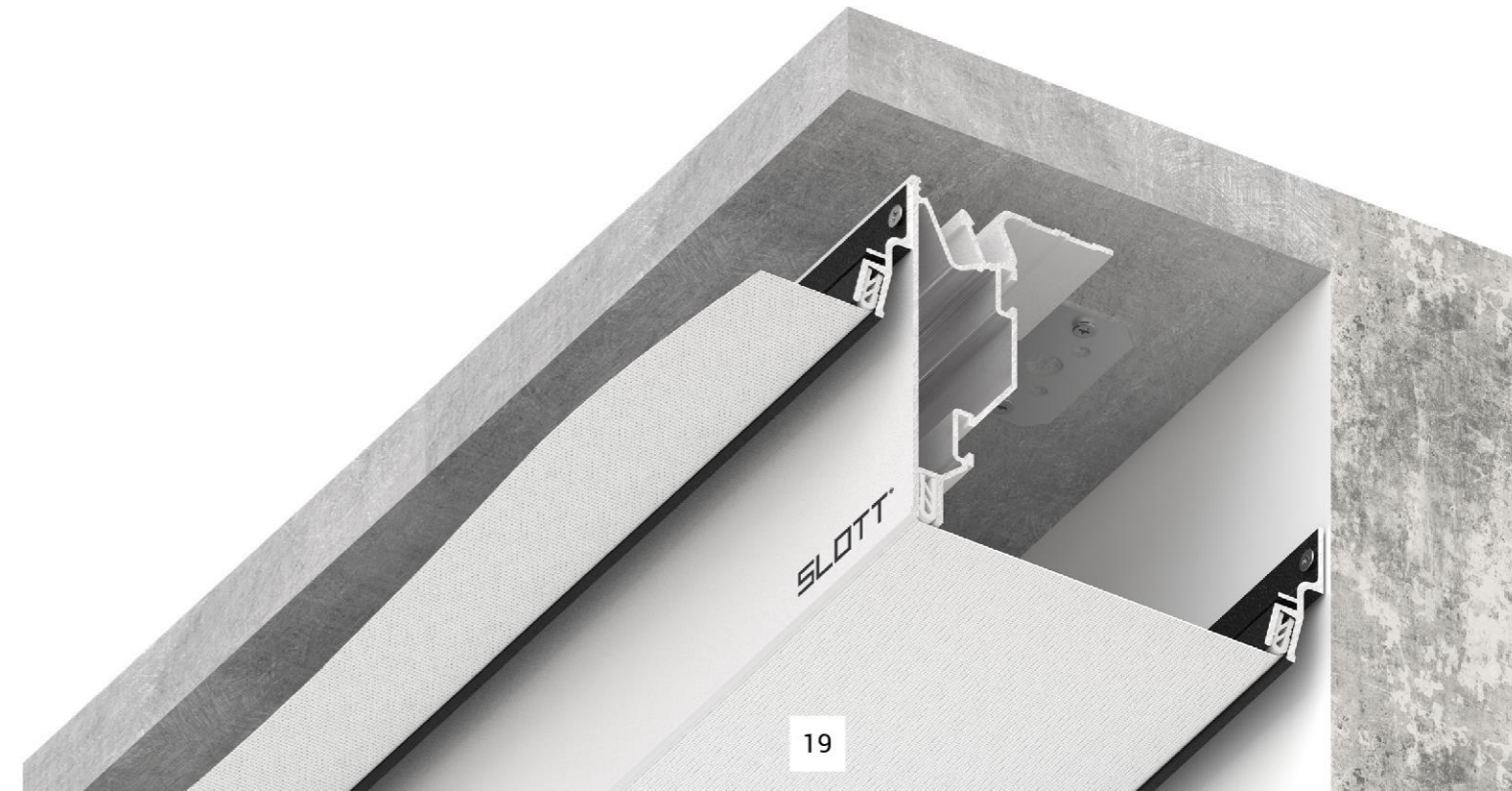
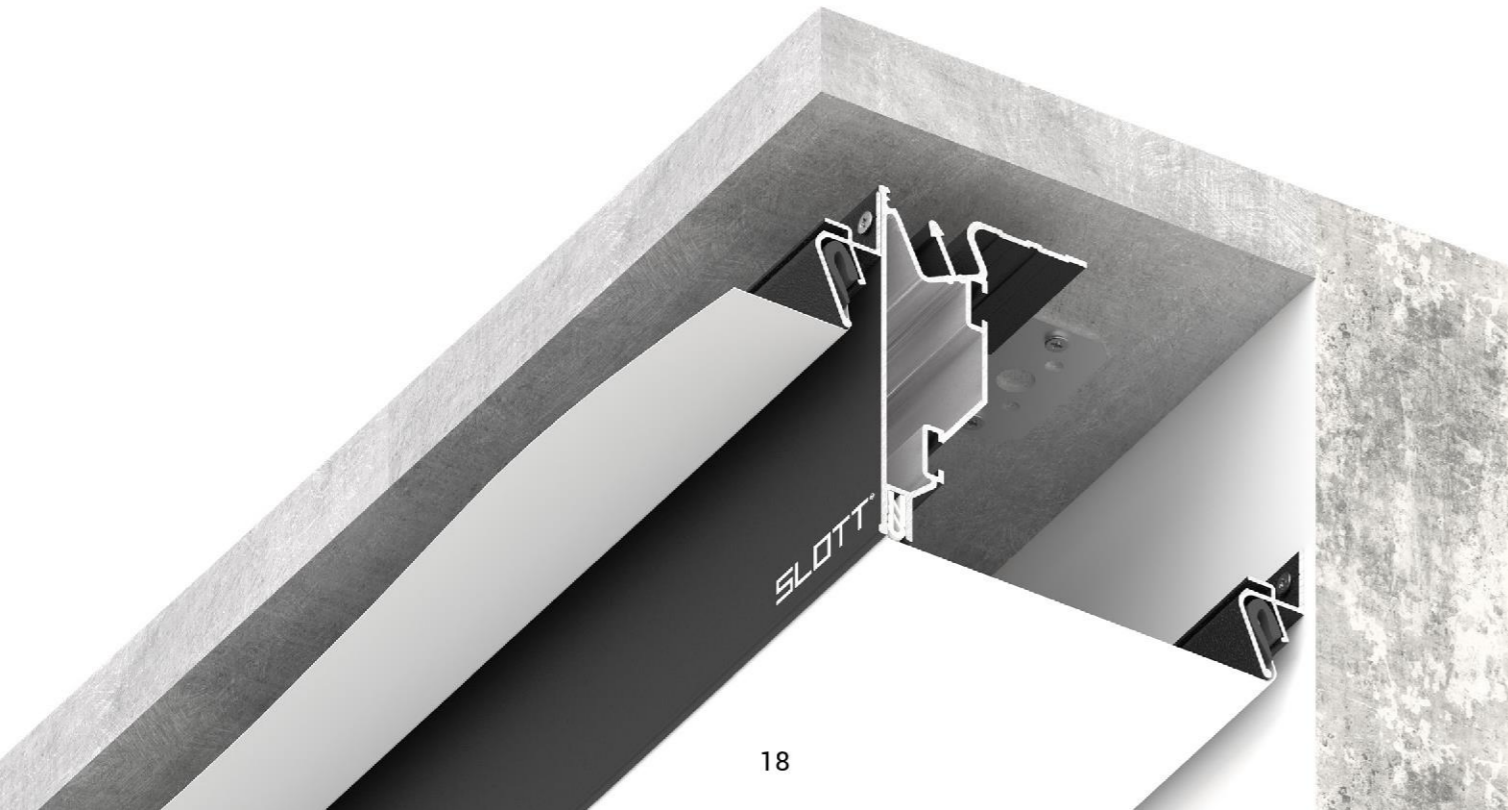


EUROKRAAB
Color: black
Material: aluminum
Compatible: PVC



EUROSLOTT
Color: black
Material: aluminum
Compatible: textile

The designs consist of a frame and several panels of different heights. The shadow gap is 6-7mm at the level transition, the edge height is adjustable up to 4.5 cm.





VIDEO



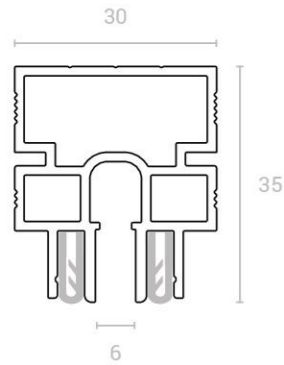
VR

SEPARATION PROFILE

SLOTT R – a universal separation profile used to connect surfaces. SLOTT R is equipped with special boxes, completely ready to be mounted, interferes perfectly with shadow profiles along the perimeter. An integrated slot for the harpoon system is used for temporary mounting of the canvas and facilitates the mounting of PVC ceilings. The damper system enables you to use it both with PVC canvas and textile surfaces.

The profile is used if:

- You need extra support of the canvas to minimize sagging;
- The area of the room is too large to mount a single canvas;
- It is necessary to connect canvases of different fabrics, colors and so on;
- To join two surfaces in mansard ceilings.

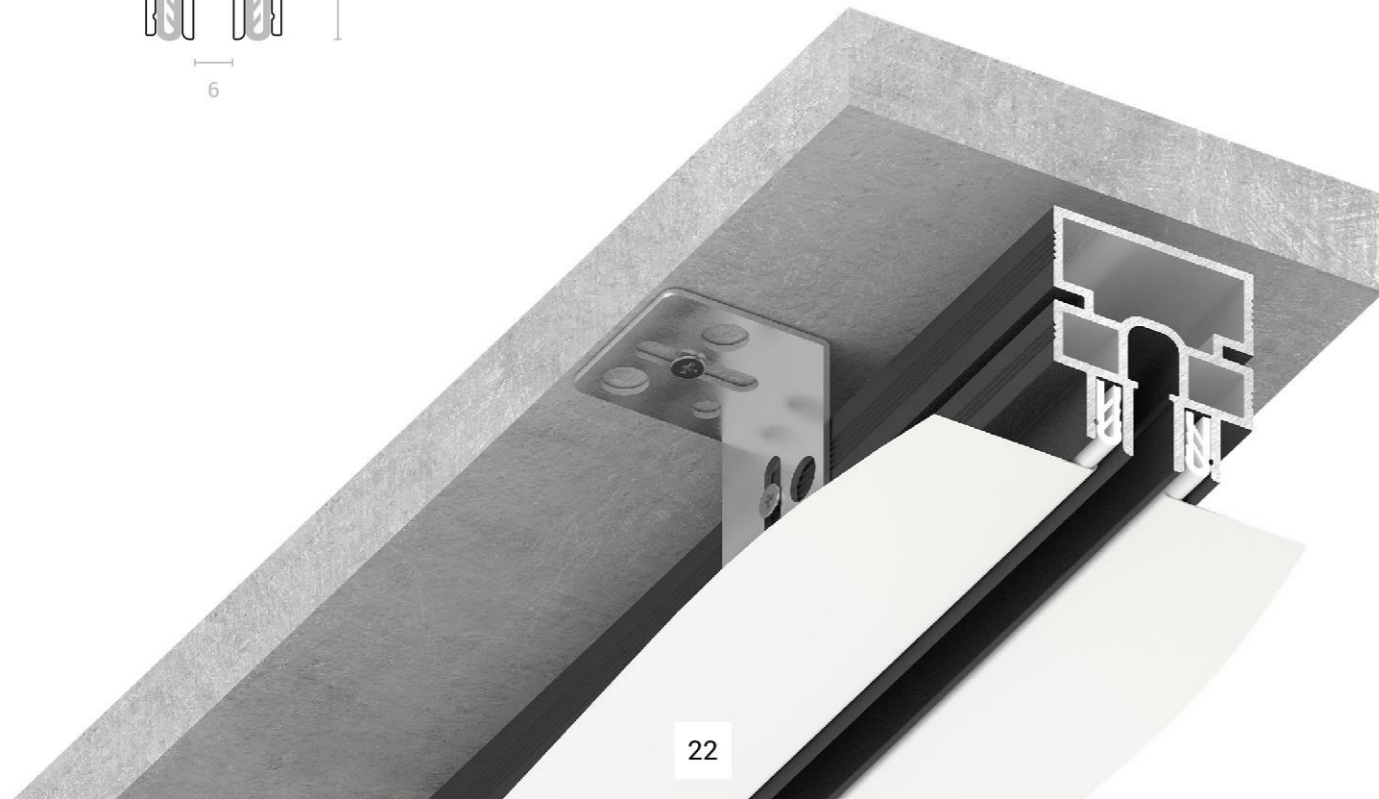


SLOTT R

Color: black anodized

Material: aluminum

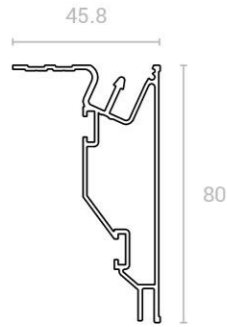
Compatible: textile, PVC



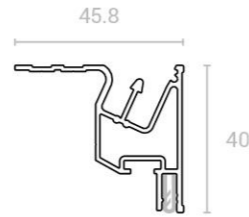
TRACK INTEGRATION SYSTEMS

The track integration system allows you to implement lighting solutions of varying complexity and functionality in the interiors of residential and commercial buildings. The system enables you to hide plastic elements (adapter, connectors, etc.) and create a minimalistic modern design.

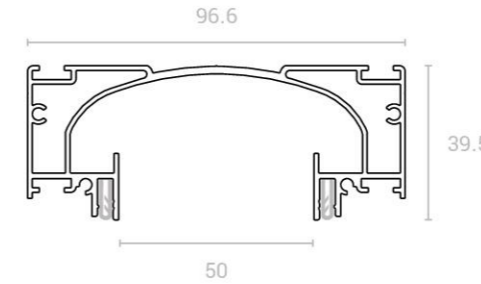
PLEASE NOTE! Before mounting the panels, make sure there are no obstacles to the adapter mechanism.



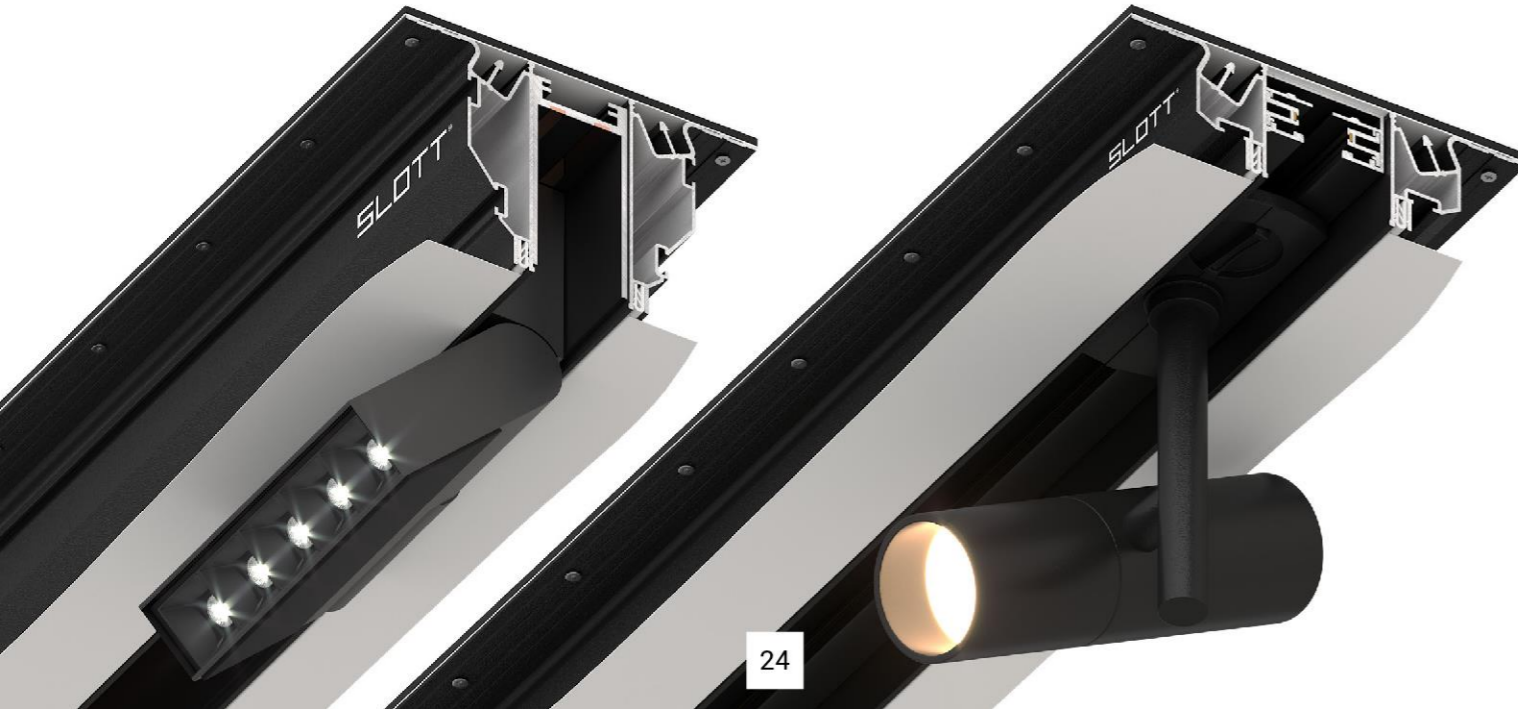
SLOTT 80
Color: black, white, unpainted
Material: aluminum
Compatible: textile, PVC



SLOTT 40
Color: black, white, unpainted
Material: aluminum
Compatible: textile, PVC



SLOTT RECESSED LIGHT LINE
Color: black, white, black-and-white
Material: aluminum
Compatible: textile, PVC



24



25



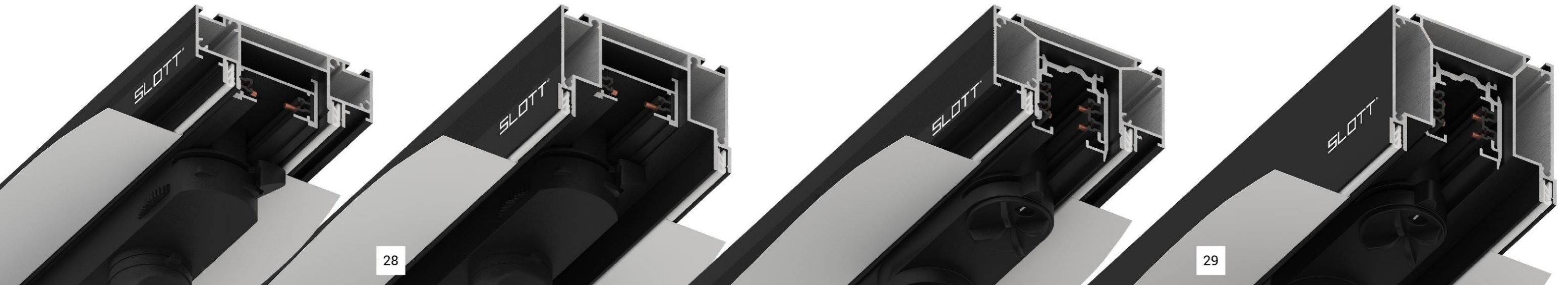
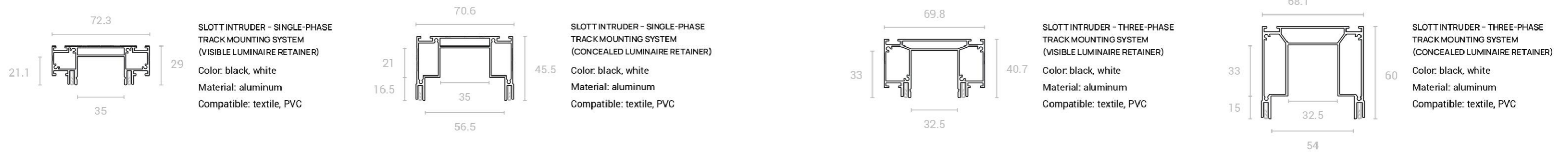
VR

SLOTT INTRUDER TRACK INTEGRATION SYSTEMS

SLOTT INTRUDER is designed to accommodate a single-phase or three-phase track. It comes in two versions: with a concealed and a visible luminaire retainer.

In the hidden luminaire version, the retainer is completely embedded inside the track, making it invisible. The visible retainer option is designed for rooms with low ceilings; it makes the distance between the ceiling and the stretch canvas small, and the luminaire retainer remains visible.

The track integration system is intended for unique design solutions, for creation of a minimalist and versatile interior design, for zoning your living space with emphasis on light, and for combining different lighting options.





VIDEO

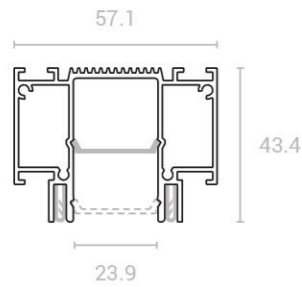


VIDEO

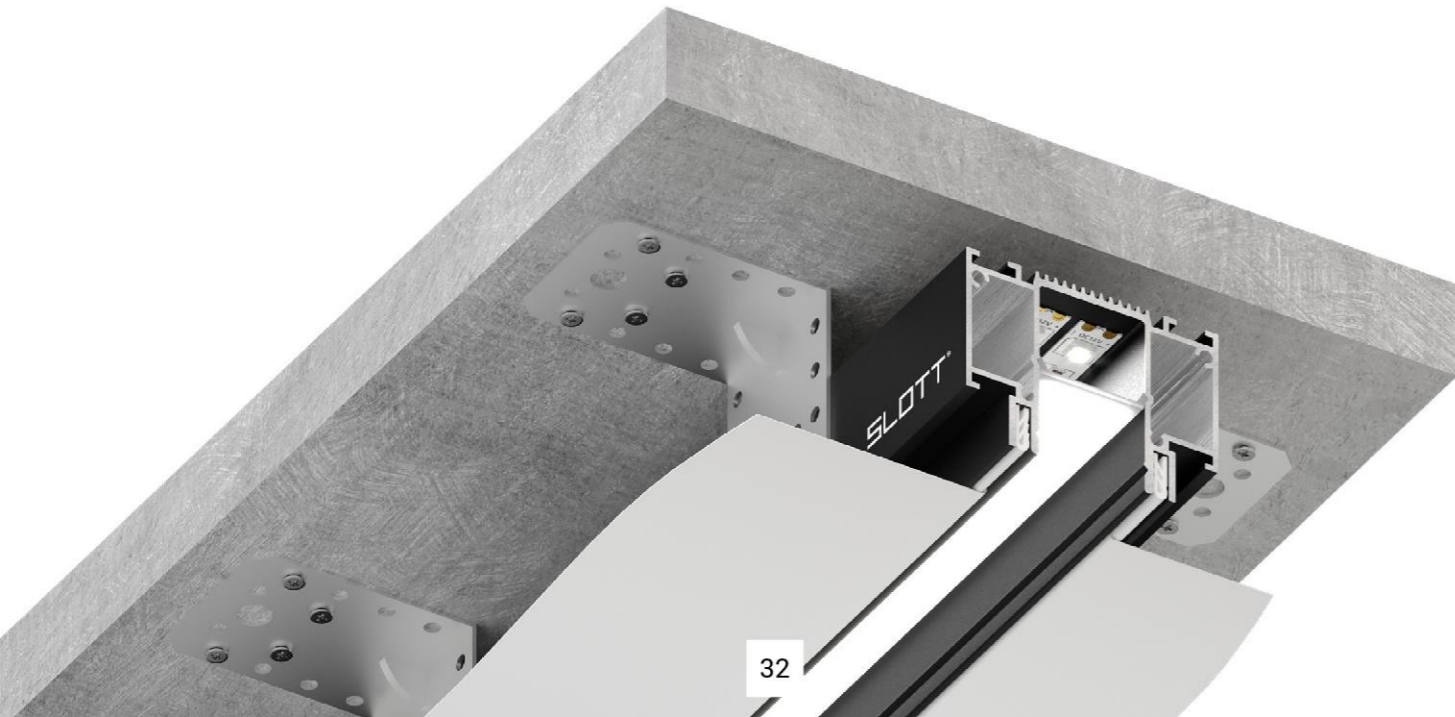
SLOTT CANYON LIGHT LINE

SLOTT Canyon is a light line and can adjust the light output through the depth of the diffuser and by selecting profile color. The diffuser in the profile can be located at different levels: 3 mm and 20 mm from the bottom edge.

The presence of special laminar reflecting systems on a self-adhesive basis increases the efficiency of light output by 35-40%.



SLOTT CANYON
Color: black, white
Material: aluminum
Compatible: textile, PVC



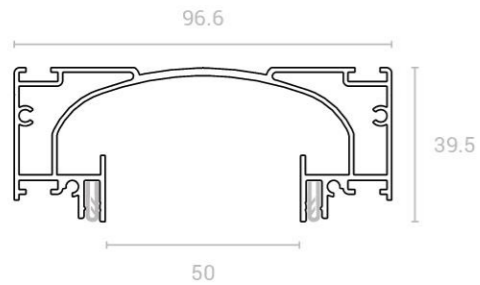
SLOTT RECESSED LIGHT LINE

SLOTT recessed light line is an open-type light line without a diffuser and with a visible 50mm-wide line.

Black profile is recommended for accommodating additional equipment, such as track systems, L31/L61 linear luminaires or spotlights.

White and black-white profiles are designed for embedding hidden LED strip lights. The light reflected from the white walls of the recess will be soft and diffused. It is also possible to integrate additional equipment into the profiles of these colors.

PLEASE NOTE! Black profile is categorically not suitable for LED strip light because such a combination would lead to over 80% light loss.



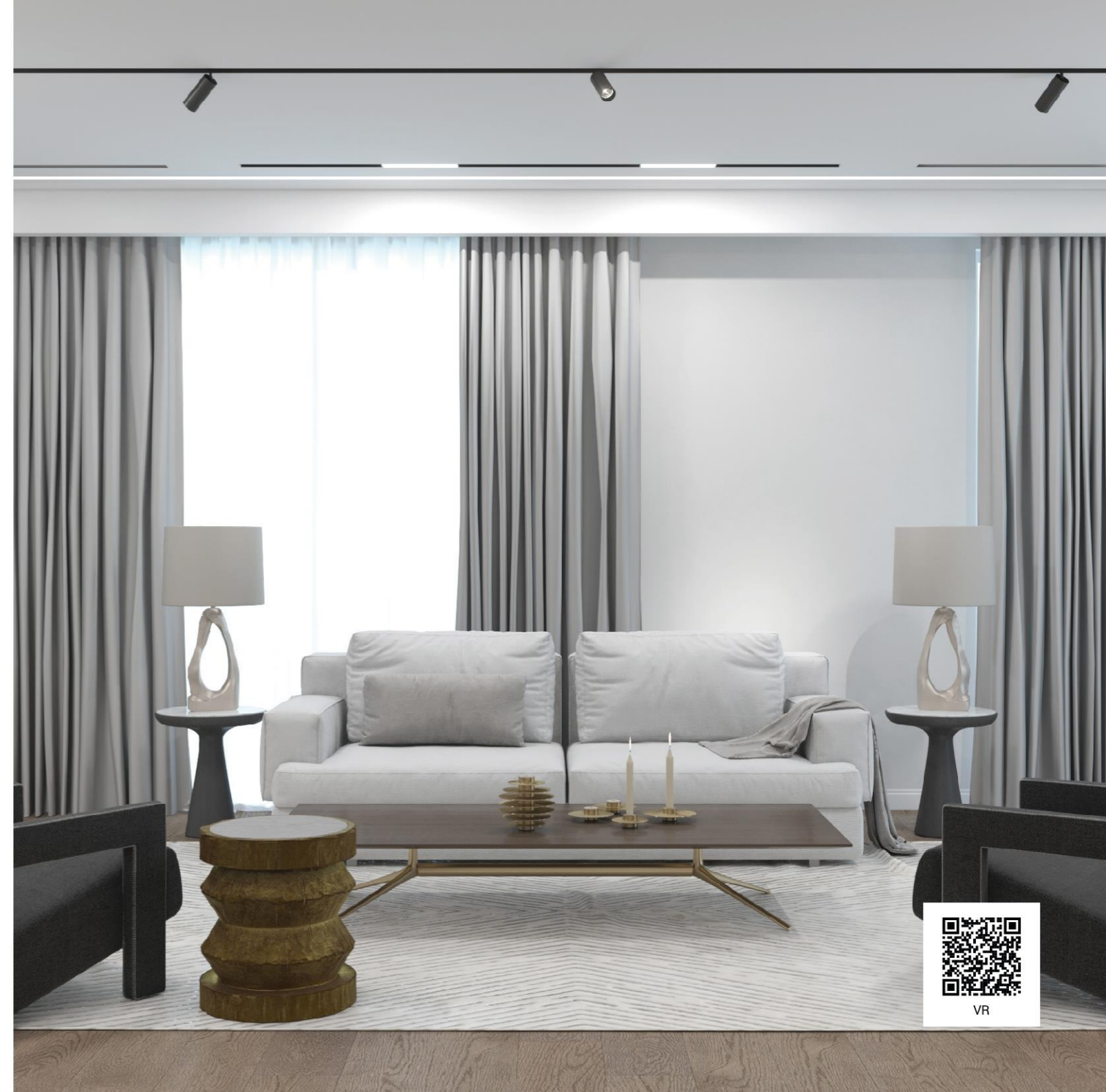
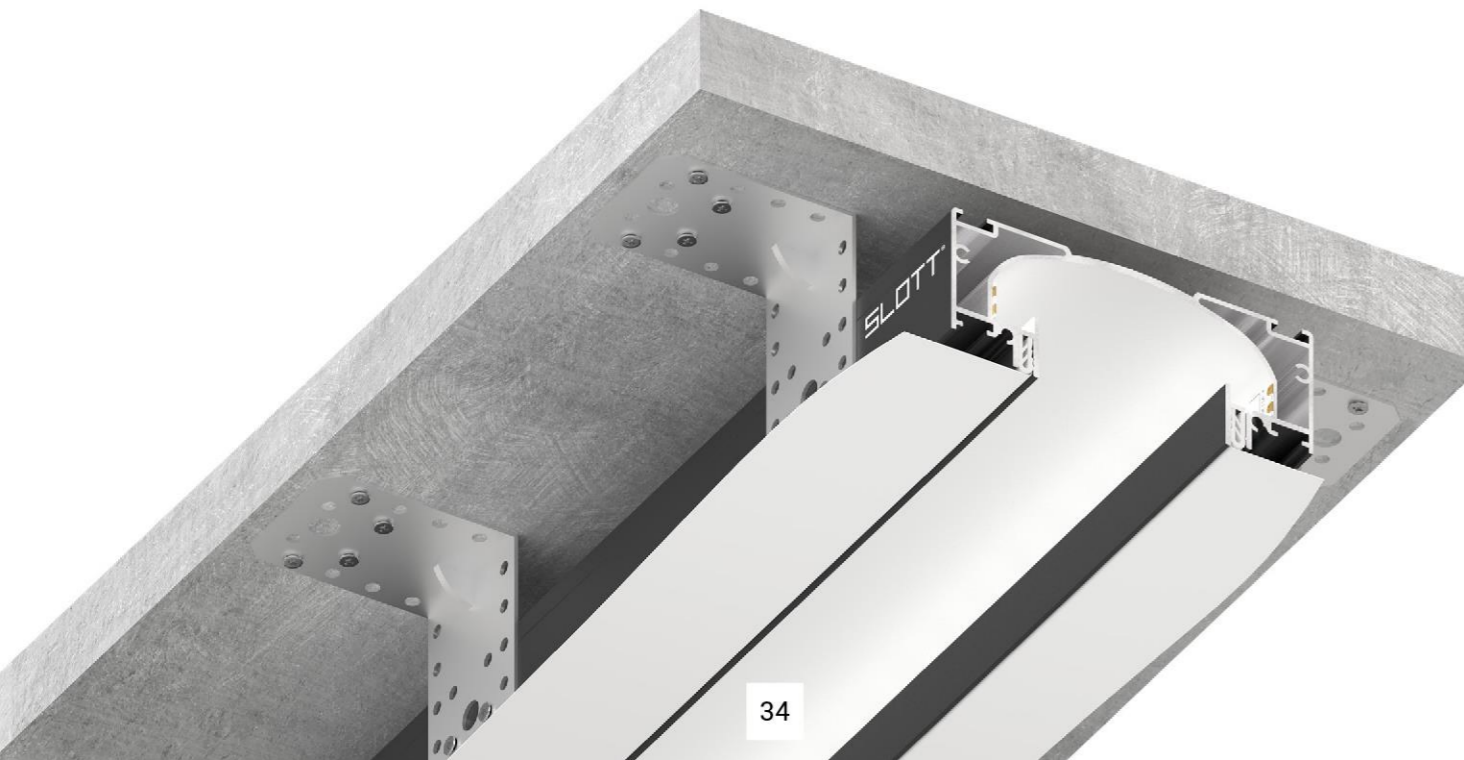
SLOTT RECESSED LIGHT LINE

Color: black, white,

black-and-white

Material: aluminum

Compatible: textile, PVC



VR

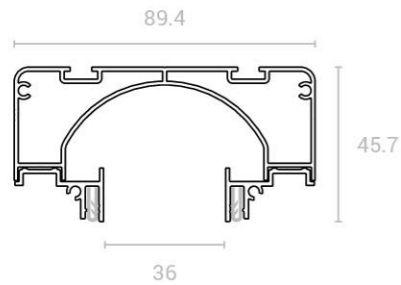
SLOTT 35 RECESSED LIGHT LINE

SLOTT 35 is an open recessed light line without a diffuser and with a visible 35mm-wide line.

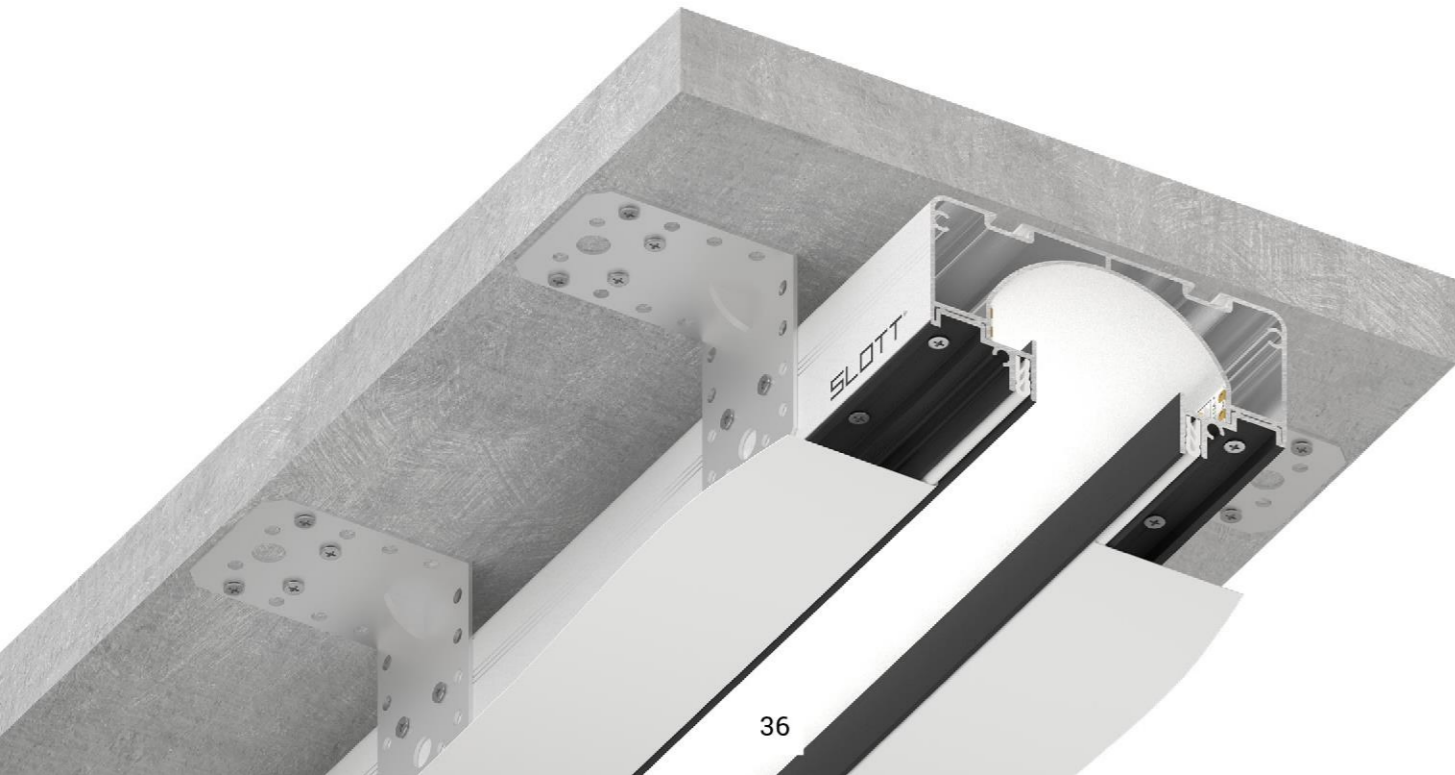
Black SLOTT 35 is a structural profile used as a black recess for mounting spotlights or tracks.

White and black-white versions are used as the main light source and are designed for embedding a longitudinal LED strip light. The light reflected from the white walls of the recess is diffused and soft. Contrasting black-white SLOTT blends harmoniously with the clear lines of the shadowline and tray ceilings. Additional equipment can also be embedded into the profiles of these colors.

PLEASE NOTE! Black profile is categorically not suitable for LED strip light because such combination would lead to over 80% light loss.



SLOTT 35
Color: black, white,
black-and-white
Material: aluminum
Compatible: textile, PVC



VR

SKYLIGHT

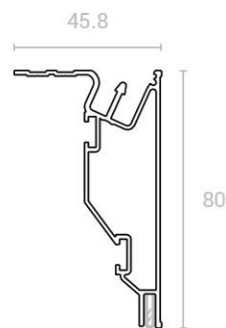
A skylight window is a luminous part of a stretch ceiling made of translucent fabric, executed in a certain shape. Such a solution visually expands the space, and can have any geometric shape, size and brightness.

Skylight windows come in a variety of shapes – rectangles, circles, ovals and more. Both fabric and PVC films can be used for their implementation.

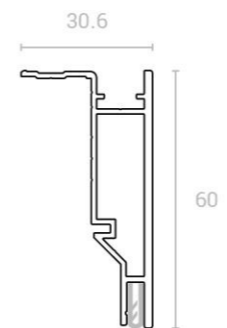
Skylights can be made in two versions:

1. With the SLOTT 60 or 80 profile with full light, illuminating the entire window from the inside.
2. With the SLOTT 60 or 80 with perimeter lighting, illuminating only the window "frame".

Both can be used as the main light source or as an additional decorative element. A translucent canvas is the diffuser in this solution.



SLOTT 80
Color: black, white,
unpainted
Material: aluminum
Compatible: textile, PVC



SLOTT 60
Color: black, white,
unpainted
Material: aluminum
Compatible: textile, PVC



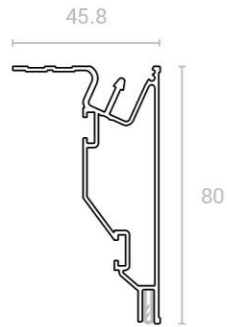


VR

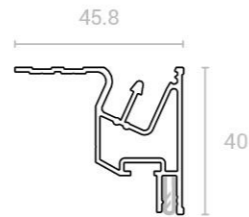
SLOTT RECESSES FOR LUMINAIRES

One of the options for using the profile is the embedding of luminaires. The height of the recess is 40 or 80 mm, and its width can be any size. The luminaires are mounted statically according to the preliminary design and calculated illumination. Lines and lamps are available in black and white, which allows you to create both monochrome, calm compositions, and contrasting accents in lighting design.

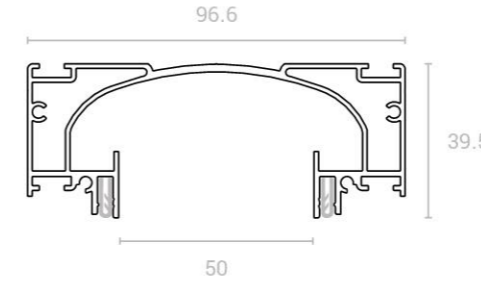
The luminaires come in a wide range of choices: rotary and static models as well as recessed luminaires and “glasses”. For the SLOTT recessed product line, the L30, L60, L90 linear luminaires can be embedded. This choice allows for various solutions, such as creating light stream directions, light diffusion, and room zoning.



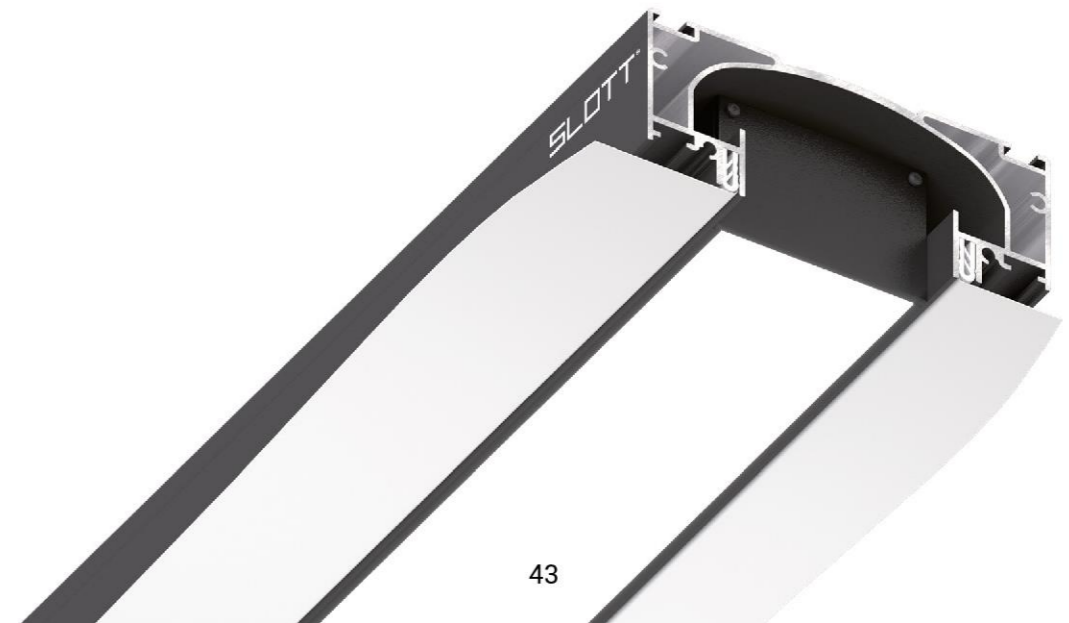
SLOTT 80
Color: black, white, unpainted
Material: aluminum
Compatible: textile, PVC



SLOTT 40
Color: black, white, unpainted
Material: aluminum
Compatible: textile, PVC



SLOTT RECESSED LIGHT LINE
Color: black, white, black-and-white
Material: aluminum
Compatible: textile, PVC



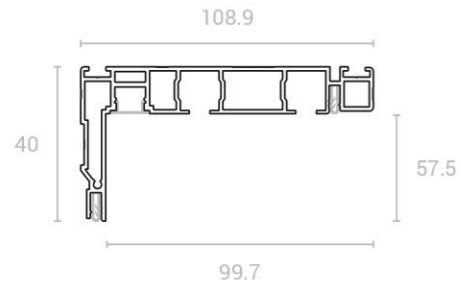


VR

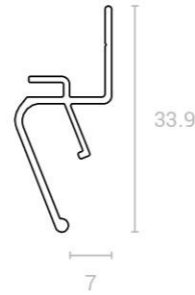
SLOTT PARSEK CURTAIN TRACK

A two-row mechanical curtain track for stretch ceilings. This solid-aluminum-made profile creates a recess as a result of its specially designed protruding edge. Its rubberized gliders are noiseless and hidden from sight; only the curtain itself and the elements attaching the curtain to the gliders are visible.

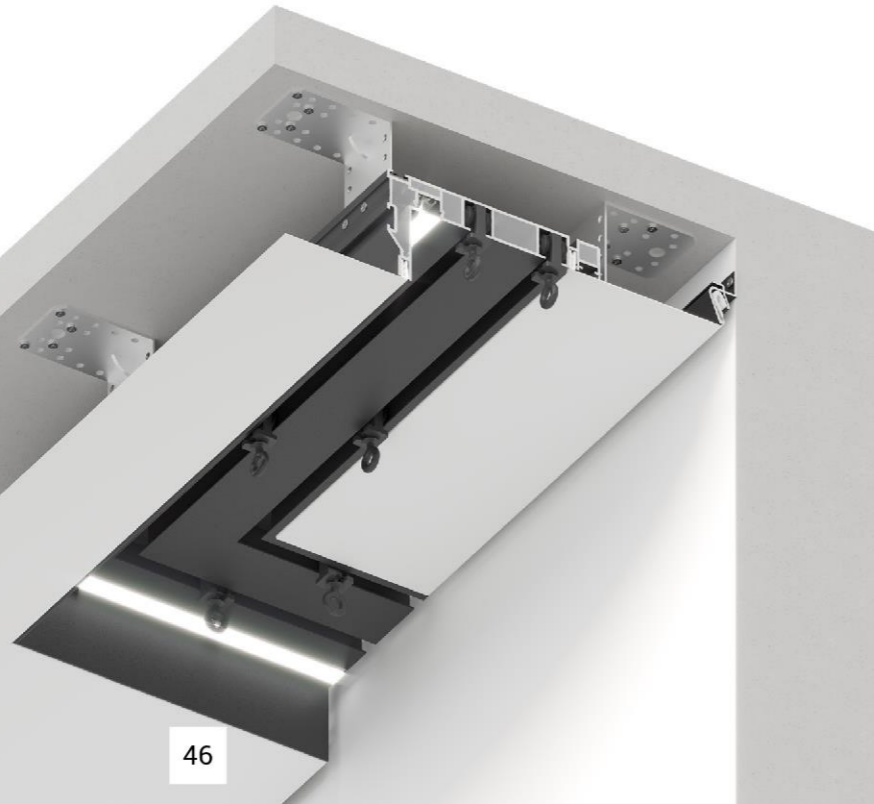
The curtain rail profile has a hidden lighting system, is equipped with a built-in diffuser and light falls straight down the curtain. The built-in lighting renders decorative effects. The profile is not fitted with a LED strip, it is purchased separately if required. You can do away with the light strip if extra lighting is not needed.



SLOTT PARSEK
Color: black, white
Material: aluminum
Compatible: textile, PVC



EUROKRAAB
Color: black
Material: aluminum
Compatible: PVC



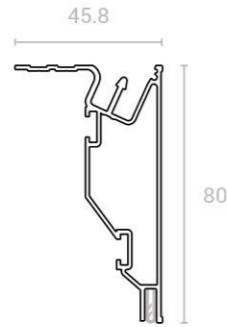
VIDEO



VR

SLOTT TRACK RECESSES

The recess is made of SLOTT 80 profile and is used to conceal the curtain tracks. The solution can come with extra lighting. It can be implemented by installing an additional profile with a diffuser. Backlighting is installed in front of the curtains closer to the center of the room. An additional profile can be attached to SLOTT 80 either mechanically or by using a 3M adhesive tape.



SLOTT 80

Color: black, white,
unpainted

Material: aluminum

Compatible: textile, PVC



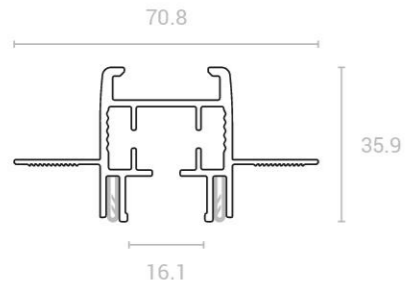
48



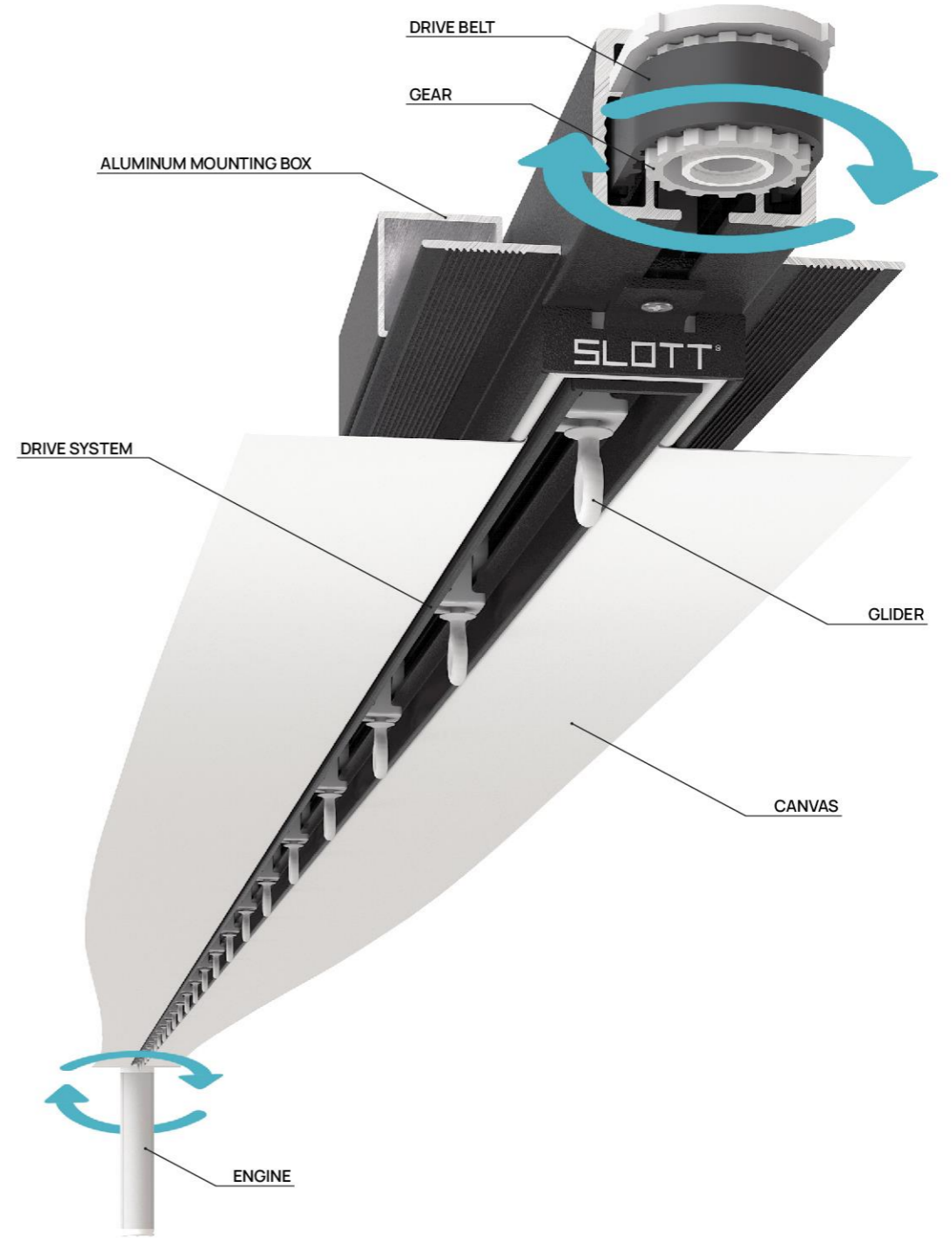
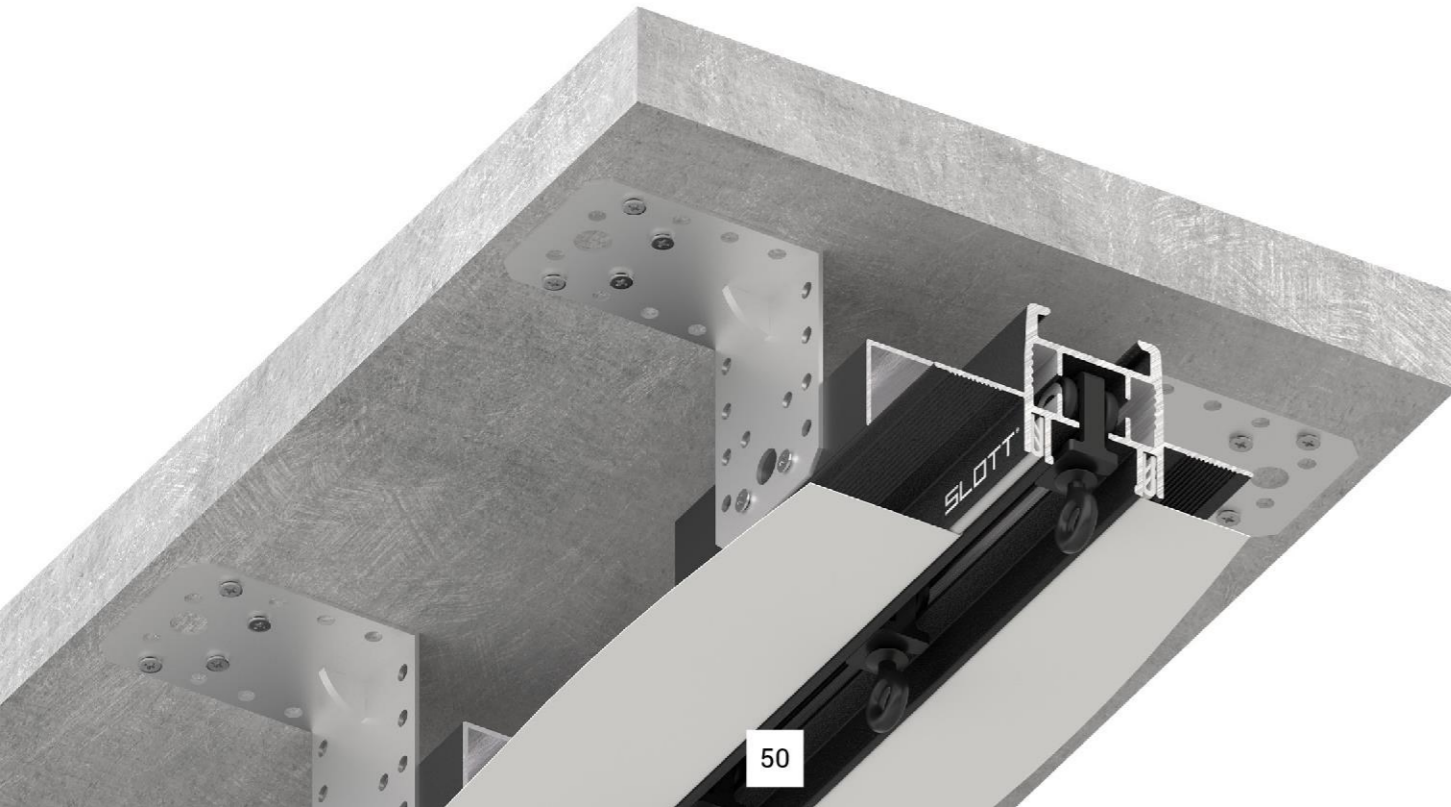
SLOTT MOTION ELECTRIC CURTAIN TRACK

SLOTT Motion is a single-row electric curtain track. It is characterized by silent gliders and a modern look. When using the SOMFY motor drive, the curtain track is controlled by a smart home system, voice assistant, smartphone app, remote control or a wired button.

The built-in solution is a thin strip in black or white to complement a modern, minimalist interior. The electric motor is hidden behind the curtain.



SLOTT MOTION
 Color: black, white
 Material: aluminum
 Compatible: textile, PVC,
 drywall





VIDEO



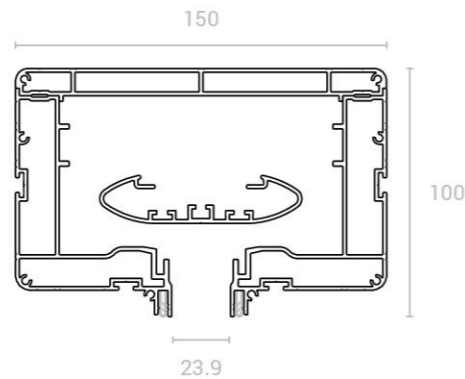
VR

SLOTT 5+ (SLOT DIFFUSER)

Slot diffuser Slott 5+ allows you to integrate a ventilation system into a stretch ceiling or drywall ceiling.

A built-in plenum chamber is used to evenly distribute airflow in the ventilation system. A wing inside the system helps to regulate this flow. The compact size of the diffuser maintains the ceiling height and allows it to be installed anywhere.

The diffuser can be combined with Slott magnetic track systems for Novotech, Slott for Technolight as well as with the Slott Canyon light line, while still maintaining all the functionality of each element.

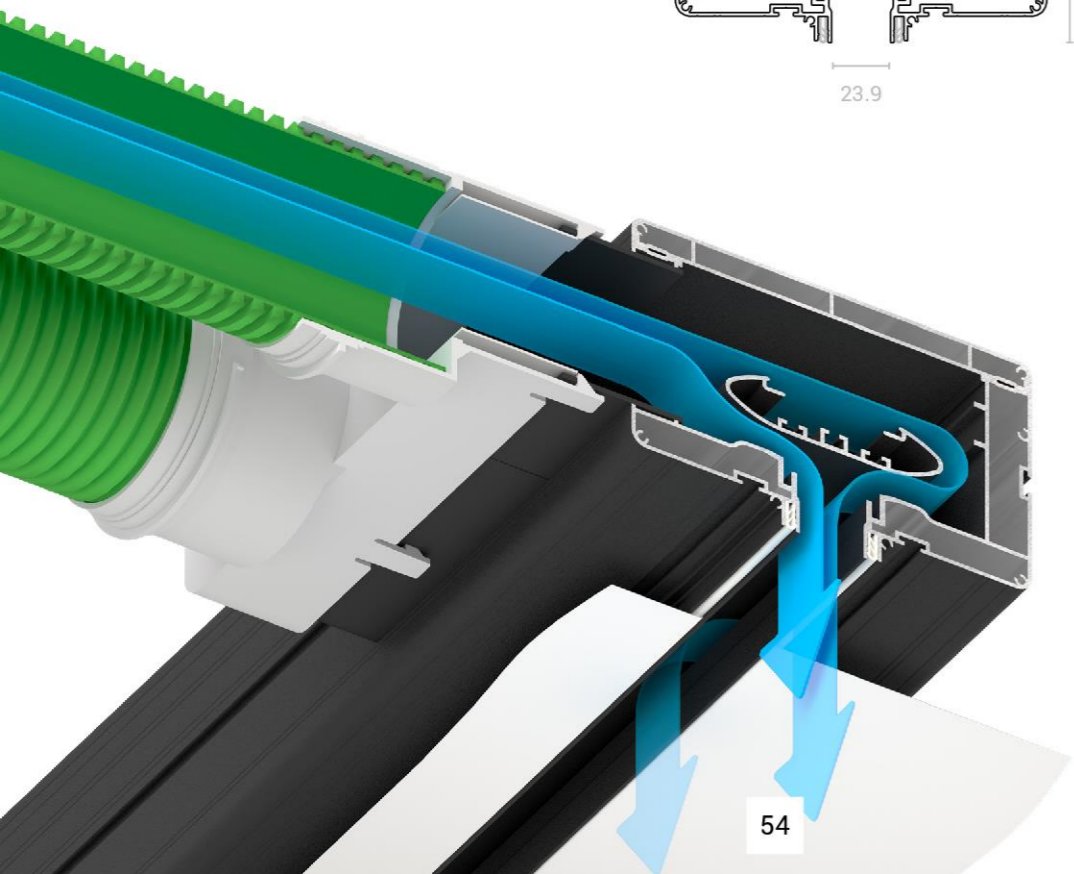


SLOTT 5+

Color: black, white

Material: aluminum

Compatible: textile, PVC

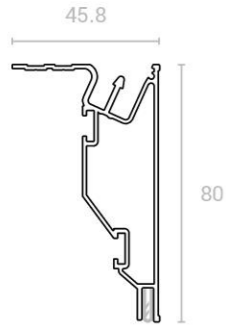


VR

SLOTT RECESSES FOR RAILS AND PANELS

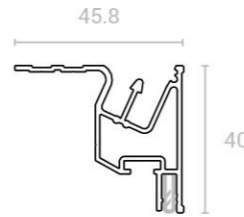
Rails and panels are integrated using SLOTT 40 or SLOTT 80 profiles, the fastening is concealed in the solution. Illumination is implemented by installing an additional profile.

This solution is used for zoning or decorating a room. One advantage that comes with it is that the fastening elements can be hidden inside the recess.



SLOTT 80

Color: black, white,
unpainted
Material: aluminum
Compatible: textile, PVC



SLOTT 40

Color: black, white,
unpainted
Material: aluminum
Compatible: textile, PVC





Vesse 3, Tallinn, Estonia

info@premiumdesign.ee
www.premiumdesign.ee

tel. +372 5333 3789
tel. +372 5323 3446