

F1.

Concealed plinth mounting systems

2023

Content

Concealed mounted plinth

(drawings, installation examples and coating options)

> F1.S958	6
> F1.M958	7
> F1.S1060	8
> F1.M1060	9
> F1.2015	10
> F2.10	11
> F1.50L10	12
> F1.100L8	13
> F1.3028L12	14
> F1.5028L12	15

Decorative MDF tab

(drawings, installation examples and coating options)

> 858 & 8100	16
> 858L & 8100L	17
> 1060 & 10100	18
> 1060L & 10100L	19
> 1258 & 12100	20

Diffuser

> F0.LD10	21
> F0.LD13	21



The FSPRO concealed installation plinth system supplements your room design and emphasizes the interior. Plinth is easy to use and durable along with a concise design and functionality.

F1.S958

Concealed mounted aluminum plinth S958.
Mounted under plastering. A minimalist design provides useful space preservation, with no gaps between furniture and the walls.

Fastened with glue, liquid nails or double-sided adhesive tape.

Material	—	Aluminum
LED strip channel	—	without
Length	—	2500 mm
Height	—	60,1 mm
Width	—	15,4 mm
Used together with	MDF decorative tabs 858 and 8100	
Covering:	<ul style="list-style-type: none"> > no cover > Anodized cover (Silver, 15 micron) > any RAL palette color* 	
*powder paint		



F1.S958 — no cover
+ Decorative MDF tab 858



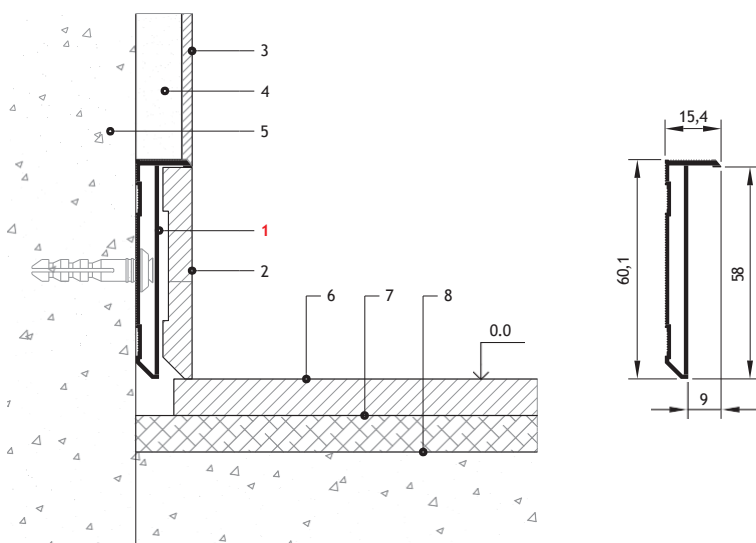
F1.S958A — Anodized cover
+ Decorative MDF tab 858



F1.S958 + Decorative MDF tab 858L



F1.S958 + Decorative MDF tab 8100



- | | |
|-------------------|-------------------------|
| 1. Plinth F1.S958 | 5. The wall |
| 2. MDF tab 858 | 6. Final coating |
| 3. Putty | 7. Self-leveling screed |
| 4. Plastering | 8. Before floor |

F1.M958

Concealed mounted aluminum plinth M958.
Used for installation under plasterboard in one or two layers and is installed flush with the wall. A minimalist design provides useful space preservation, with no gaps between furniture and the walls.

Fastened with glue, liquid nails or double-sided adhesive tape.

Material	—	Aluminum
LED strip channel	—	without
<hr/>		
Length	—	2500 mm
Height	—	83,1 mm
Width	—	15,4 mm
<hr/>		
Used together with MDF decorative tabs 858 and 8100		
<hr/>		
Covering:		
> no cover		
> Anodized cover (Silver, 15 micron)		
> any RAL palette color*		
<hr/>		
*powder paint		



F1.M958 — no cover
+ Decorative MDF tab 858



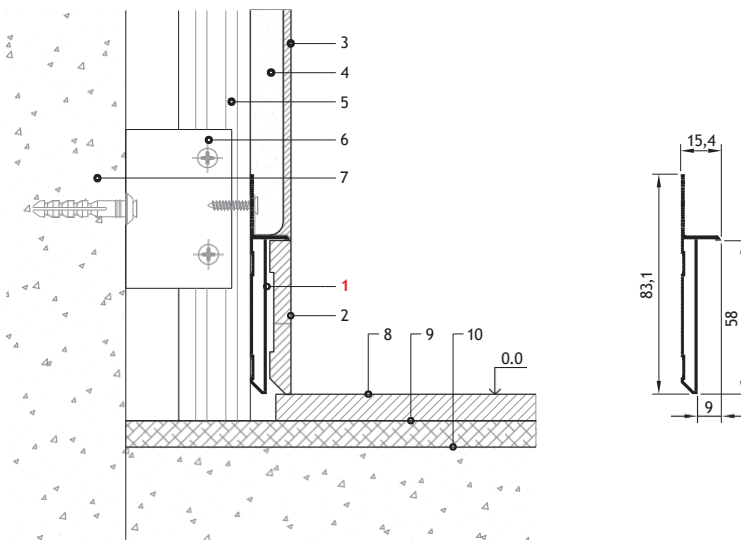
F1.M958A — Anodized cover
+ Decorative MDF tab 858



F1.M958 + Decorative MDF tab 858L



F1.M958 + Decorative MDF tab 8100





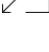




- | | |
|-----------------------------|--|
| 1. Plinth F1.M958 | 6. Fastening of the suspension is straight |
| 2. MDF tab 858 | 7. The wall |
| 3. Putty | 8. Final coating |
| 4. GKL | 9. Self-leveling screed |
| 5. Profile for plasterboard | 10. Before floor |

F1.S1060

Concealed mounted aluminum plinth S1060.
Mounted under plastering. A minimalist design provides useful space preservation, with no gaps between furniture and the walls.

Fastened with glue, liquid nails or double-sided adhesive tape.

	Material	—	Aluminum
	LED strip channel	—	without
<hr/>			
	Length	—	2500 mm
	Height	—	62,1 mm
	Width	—	15,4 mm
<hr/>			
	Used together	with MDF decorative tabs 1060 and 10100	
<hr/>			
	Covering:	> no cover	
		> Anodized cover (Silver, 15 micron)	
		> any RAL palette color*	
<hr/>			
	*powder paint		



F1.S1060 — no cover
+ Decorative MDF tab 1060



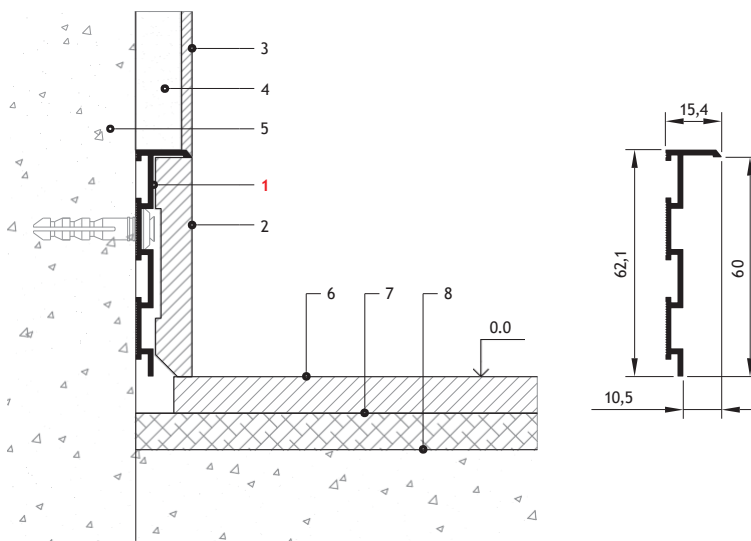
F1.S1060A — Anodized cover
+ Decorative MDF tab 1060



F1.S1060 + Decorative MDF tab 1060L



F1.S1060 + Decorative MDF tab 10100



- | | |
|--------------------|-------------------------|
| 1. Plinth F1.S1060 | 5. The wall |
| 2. MDF tab 1060 | 6. Final coating |
| 3. Putty | 7. Self-leveling screed |
| 4. Plastering | 8. Before floor |

F1.M1060

Concealed mounted aluminum plinth M1060.
Used for installation under plasterboard in one or two layers and is installed flush with the wall. A minimalist design provides useful space preservation, with no gaps between furniture and the walls.

Fastened with glue, liquid nails or double-sided adhesive tape.

Material	—	Aluminum
LED strip channel	—	without
Length	—	2500 mm
Height	—	85,1 mm
Width	—	15,4 mm
Used together with MDF decorative tabs 1060 abd 10100		
Covering:		
> no cover		
> Anodized cover (Silver, 15 micron)		
> any RAL palette color*		
*powder paint		



F1.M1060 — no cover
+ Decorative MDF tab 1060



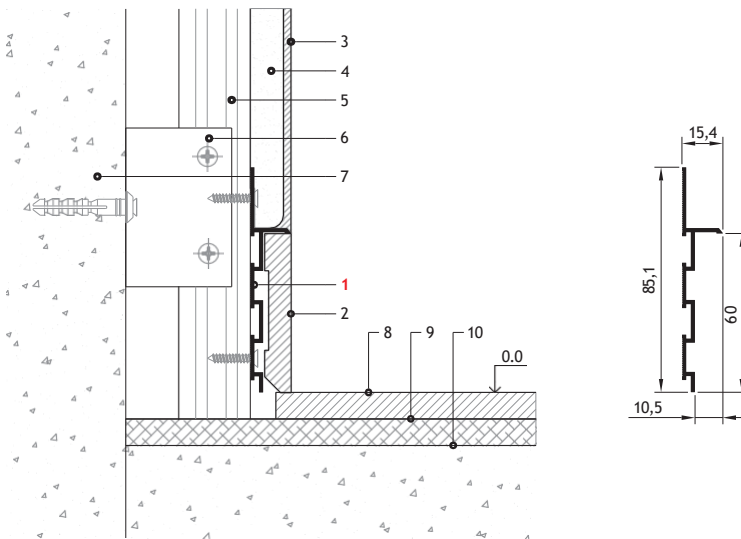
F1.M1060A — Anodized cover
+ Decorative MDF tab 1060



F1.M1060 + Decorative MDF tab 1060L



F1.M1060 + Decorative MDF tab 10100



- | | |
|-----------------------------|--|
| 1. Plinth F1.M1060 | 6. Fastening of the suspension is straight |
| 2. MDF tab 1060 | 7. The wall |
| 3. Putty | 8. Final coating |
| 4. GKL | 9. Self-leveling screed |
| 5. Profile for plasterboard | 10. Before floor |

F1.2015

Shadowline aluminum plinth 20 mm. Creates a smooth seam when installed to the joint lines of the wall and the floor, provides the hanging wall effect of the entire room. It is used for installation under plasterboard in one or two layers and is installed flush with the wall.

Fastened with self-tapping screws, glue, liquid nails.

Material	—	Aluminum
LED strip channel	—	without
<hr/>		
Length	—	2500 mm
Height	—	38,6 mm
Width	—	15,4 mm
<hr/>		
Covering:		
> no cover		
> Anodized cover (Silver, 15 micron)		
> painted in Black* (RAL 9005 matte)		
> any RAL palette color*		
<hr/>		
*powder paint		



F1.2015 – no cover **7 EUR**



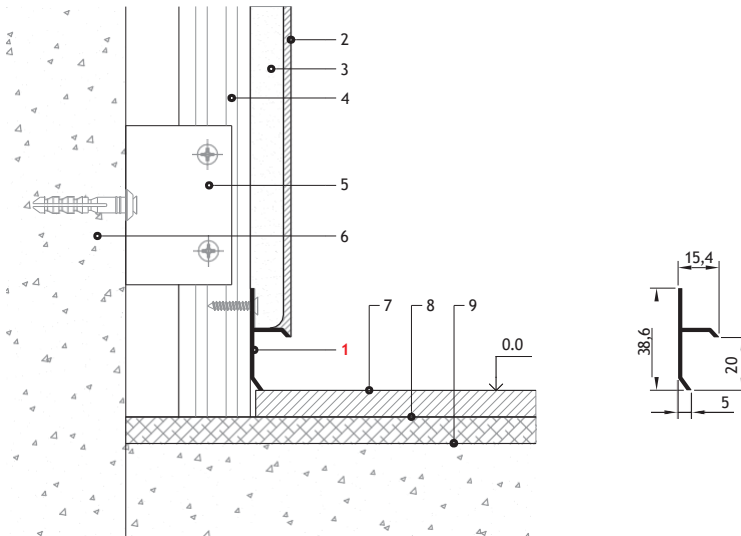
F1.2015A – Anodized cover **9 EUR**



F1.2015B – painted in Black* (RAL 9005 matte) **9 EUR**



F1.2015R – any RAL palette color* **10 EUR**



- | | |
|--|-------------------------|
| 1. Plinth F1.2015 | 6. The wall |
| 2. Putty | 7. Final coating |
| 3. GKL | 8. Self-leveling screed |
| 4. Profile for plasterboard | 9. Before floor |
| 5. Fastening of the suspension is straight | |

F2.10

“Swallow tail” shadowline profile 10 mm. It is installed to the joint lines of the wall and the ceiling to provide a hanging ceiling effect of the entire room and can also be used as a shadowline plinth.

Designed for gypsum plasterboard systems, it is easy to mount and complements modern design solutions.

Material	—	Aluminum
LED strip channel	—	without
<hr/>		
Length	—	3000 mm
Height	—	40 mm
Width	—	15 mm
<hr/>		
Covering:		
> no cover		
> Anodized cover (Silver, 15 micron)		
> painted in Black* (RAL 9005 matte)		
> any RAL palette color*		
<hr/>		
*powder paint		



F2.10 – no cover **7 EUR**



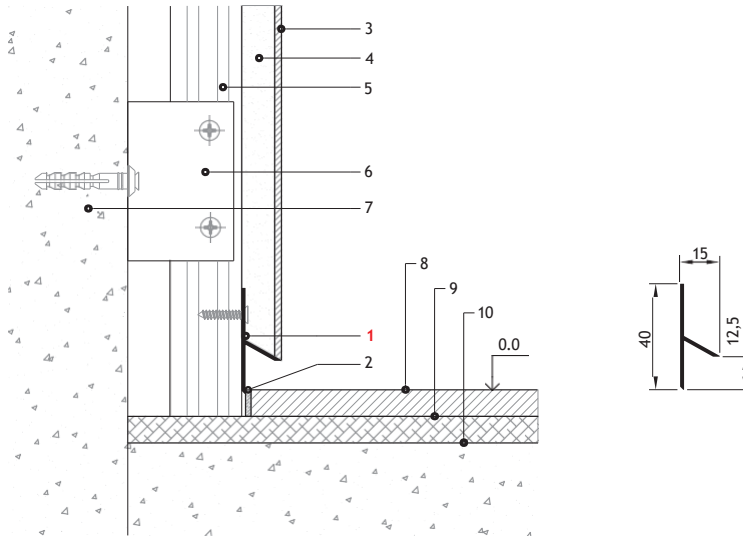
F2.10A – Anodized cover **9 EUR**



F2.10B – painted in Black* (RAL 9005 matte) **9 EUR**



F2.10R – any RAL palette color* **10 EUR**



- | | |
|-----------------------------|--|
| 1. Plinth F2.10 | 6. Fastening of the suspension is straight |
| 2. Sealant | 7. The wall |
| 3. Putty | 8. Final coating |
| 4. GKL | 9. Self-leveling screed |
| 5. Profile for plasterboard | 10. Before floor |

F1.50L10

Concealed mounted aluminum plinth 50 mm with a LED strip. Creates a smooth seam when installed to the joint lines of the wall and the floor to provide the hanging wall effect of the entire room. With a LED strip channel, 10 mm width provides additional room illumination and makes it possible to create light effects. Used for installation under plasterboard in one or two layers and is installed flush with the wall.

Fastened with self-tapping screws, glue, liquid nails.

Material — Aluminum
LED strip channel — up to 10 mm

Length — 2500 mm
Height — 77,7 mm
Width — 15,4 mm

Supplemented with:
> Diffuser F0.LD10
> Decorative MDF tab 1258

Covering:
> no cover
> Anodized cover (Silver, 15 micron)
> any RAL palette color*

*powder paint



F1.50L10 — no cover **13 EUR**



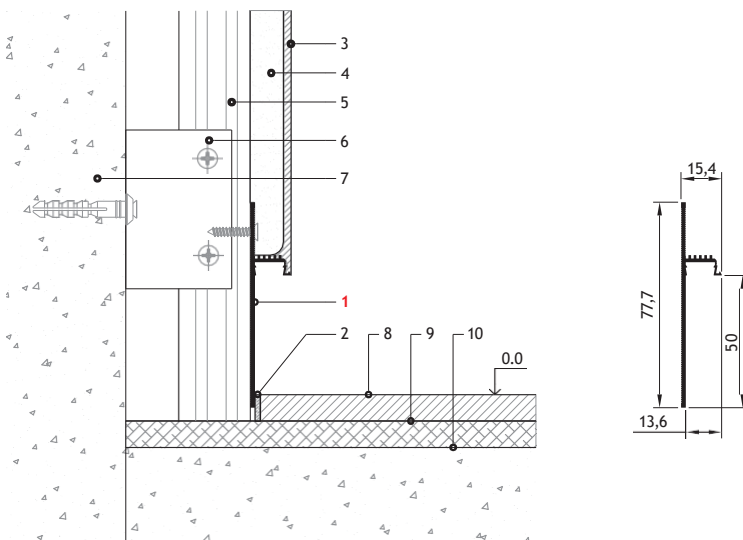
F1.50L10A — Anodized cover **19 EUR**



F1.50L10R — any RAL palette color* **21 EUR**



F1.50L10 — no cover
+ Decorative MDF tab 1258



- | | |
|-----------------------------|--|
| 1. Plinth F1.50L10 | 6. Fastening of the suspension is straight |
| 2. Sealant | 7. The wall |
| 3. Putty | 8. Final coating |
| 4. GKL | 9. Self-leveling screed |
| 5. Profile for plasterboard | 10. Before floor |

F1.100L8

Concealed mounted aluminum plinth 100 mm with a LED strip. Creates a smooth seam when installed to the joint lines of the wall and the floor to provide the hanging wall effect of the entire room. With a LED strip channel, 10 mm width provides additional room illumination and makes it possible to create light effects. Used for installation under plasterboard in one or two layers and is installed flush with the wall.

Fastened with self-tapping screws, glue, liquid nails.

Material	—	Aluminum
LED strip channel	—	up to 8 mm

Length	—	2500 mm
Height	—	127,7 mm
Width	—	15,4 mm

Supplemented with:	
> Diffuser F0.LD10	
> Decorative MDF tab 12100	

Covering:	
> no cover	
> Anodized cover (Silver, 15 micron)	
> any RAL palette color*	

*powder paint



F1.100L8 — no cover **18 EUR**



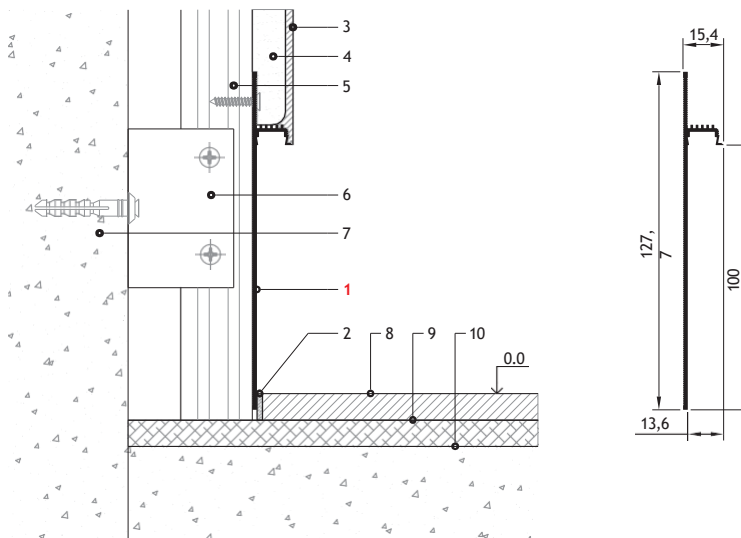
F1.100L8A — Anodized cover **21 EUR**



F1.100L8R — any RAL palette color* **24 EUR**



F1.100L8 — no cover
+ Decorative MDF tab 12100



- | | |
|-----------------------------|--|
| 1. Plinth F1.100L8 | 6. Fastening of the suspension is straight |
| 2. Sealant | 7. The wall |
| 3. Putty | 8. Final coating |
| 4. GKL | 9. Self-leveling screed |
| 5. Profile for plasterboard | 10. Before floor |

F1.3028L12

Shadowline plinth 30 mm with a LED strip channel. Creates a smooth seam when installed to the joint lines of the wall and the floor to provide the hanging wall effect of the entire room. With a LED strip channel, 12 mm width provides additional room illumination and makes it possible to create light effects. Used for installation under plasterboard in two layers and is installed flush with the wall.

Fastened with self-tapping screws, glue, liquid nails.

Material	—	Aluminum
LED strip channel	—	up to 12 mm
<hr/>		
Length	—	2500 mm
Height	—	57 mm
Width	—	28 mm
<hr/>		
Supplemented with:	> Diffuser F0.LD13	
<hr/>		
Covering:	> no cover	
	> Anodized cover (Silver, 15 micron)	
	> painted in Black* (RAL 9005 matte)	
	> any RAL palette color*	
<hr/>		
	*powder paint	



F1.3028L12 — no cover **19 EUR**



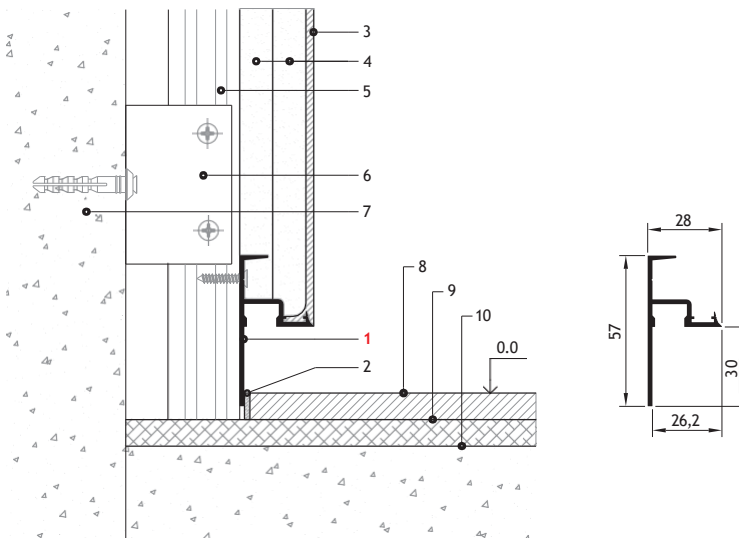
F1.3028L12A — Anodized cover **22 EUR**



F1.3028L12B — painted in Black* (RAL 9005 matte) **22 EUR**



F1.3028L12R — any RAL palette color* **25 EUR**



- | | |
|-----------------------------|--|
| 1. Plinth F1.3028L12 | 6. Fastening of the suspension is straight |
| 2. Sealant | 7. The wall |
| 3. Putty | 8. Final coating |
| 4. GKL | 9. Self-leveling screed |
| 5. Profile for plasterboard | 10. Before floor |

F1.5028L12

Shadowline plinth 50 mm with a LED strip channel. Creates a smooth seam when installed to the joint lines of the wall and the floor to provide the hanging wall effect of the entire room. With a LED strip channel, 12 mm width provides additional room illumination and makes it possible to create light effects. Used for installation under plasterboard in two layers and is installed flush with the wall.

Fastened with self-tapping screws, glue, liquid nails.

Material	—	Aluminum
LED strip channel	—	up to 12 mm
Length	—	2500 mm
Height	—	77 mm
Width	—	28 mm
Supplemented with:	> Diffuser F0.LD13	
Covering:	> no cover > Anodized cover (Silver, 15 micron) > painted in Black* (RAL 9005 matte) > any RAL palette color*	
*powder paint		



F1.5028L12 – no cover **24 EUR**



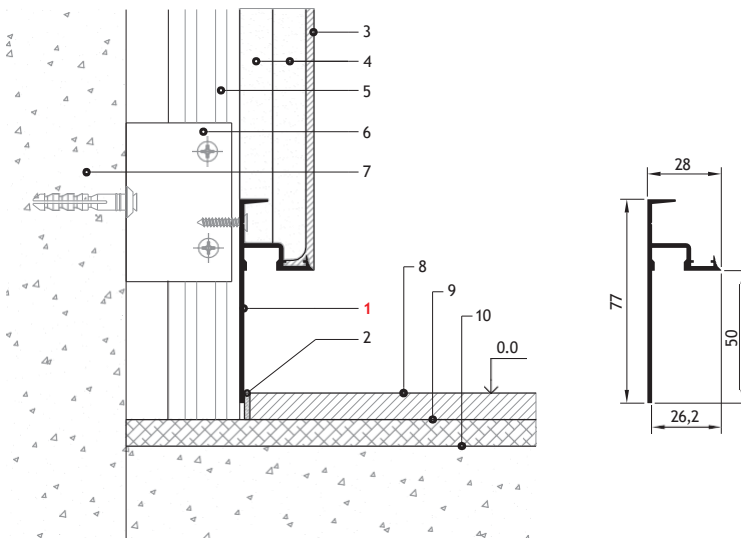
F1.5028L12A – Anodized cover **27 EUR**



F1.5028L12B – painted in Black* (RAL 9005 matte) **27 EUR**



F1.5028L12R – any RAL palette color* **31 EUR**






- | | |
|-----------------------------|--|
| 1. Plinth F1.5028L12 | 6. Fastening of the suspension is straight |
| 2. Sealant | 7. The wall |
| 3. Putty | 8. Final coating |
| 4. GKL | 9. Self-leveling screed |
| 5. Profile for plasterboard | 10. Before floor |

858 & 8100

Decorative MDF tab.

It was made taking into account the profile features that allows it to be installed flush with the wall.

	Material	—	MDF
	Length	—	2800 mm
	Height	—	58 and 100 mm
	Width	—	8 mm

 It complements concealed plinth mounting systems S958 and M958

 Covering
 > primer (for further painting)
 > any RAL palette or NCS color*

*paint



858 — White primer + Plinth S958



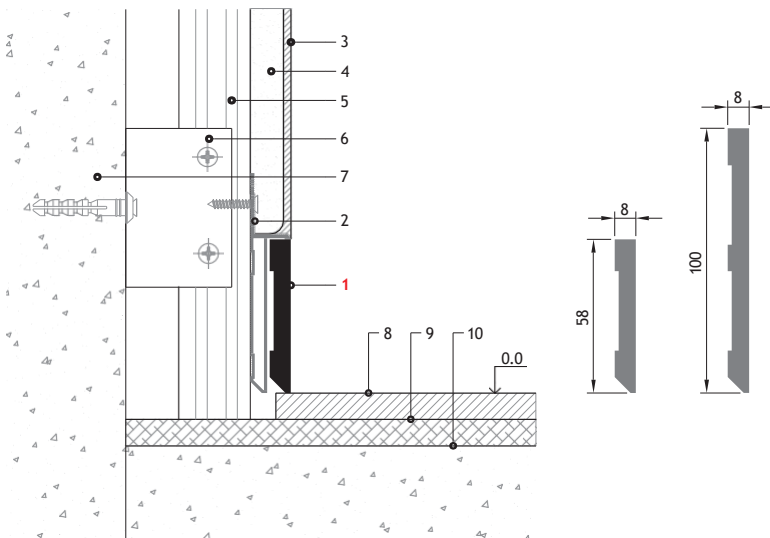
858R — any RAL palette or NCS color* + Plinth M958



8100 — White primer + Plinth M958



8100R — any RAL palette or NCS color* + Plinth M958



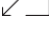




1. MDF tab 858
2. Profile F1.M958
3. Putty
4. GKL
5. Profile for plasterboard


6. Fastening of the suspension is straight
7. The wall
8. Final coating
9. Self-leveling screed
10. Before floor

858L & 8100L

Decorative primed MDF tab with LED strip channel. It was made taking into account the profile features that allows it to be installed flush with the wall.

	Material	—	MDF
	Length	—	2800 mm
	Height	—	58 and 100 mm
	Width	—	8 mm

 It complements concealed plinth mounting systems S958 and M958

 Covering
 > primer (for further painting)
 > any RAL palette or NCS color*

*paint



858L – White primer + Plinth M958



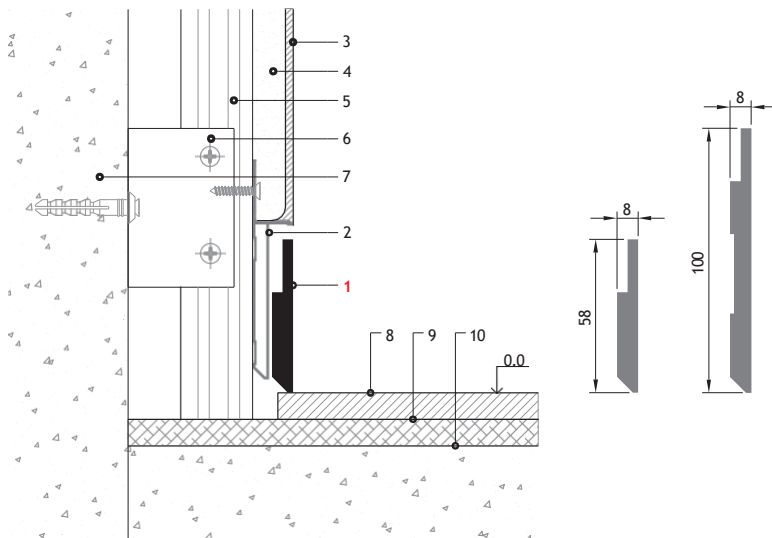
858LR – any RAL palette or NCS color* + Plinth S958



8100L – White primer + Plinth S958



8100LR – any RAL palette or NCS color* + Plinth S958




- | | |
|-----------------------------|--|
| 1. MDF tab 8100L | 6. Fastening of the suspension is straight |
| 2. Profile F1.M958 | 7. The wall |
| 3. Putty | 8. Final coating |
| 4. GKL | 9. Self-leveling screed |
| 5. Profile for plasterboard | 10. Before floor |

1060 & 10100

Decorative MDF tab.

It was made taking into account the profile features that allows it to be installed flush with the wall.

	Material	—	MDF
	Length	—	2800 mm
	Height	—	60 and 100 mm
	Width	—	10 mm

 It complements concealed plinth mounting systems S1060 and M1060

 **Covering**
 > primer (for further painting)
 > any RAL palette or NCS color*

*paint



1060 – White primer + Plinth S1060



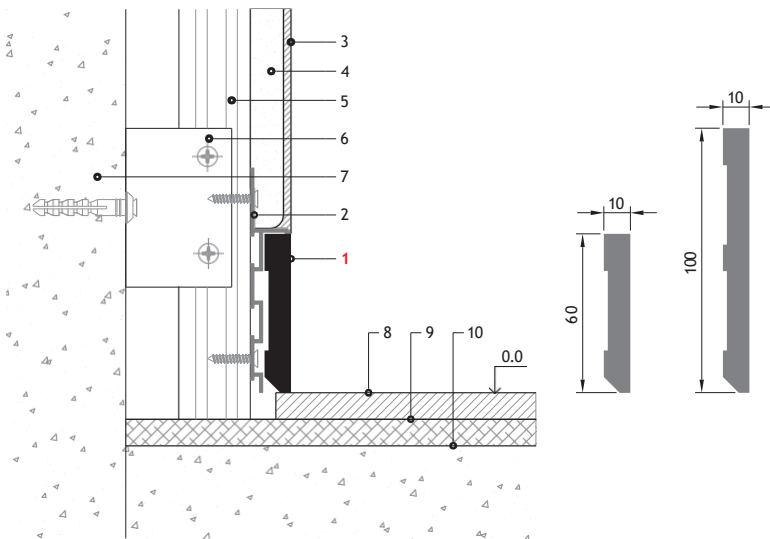
1060R – any RAL palette or NCS color* + Plinth M1060



10100 – White primer + Plinth M1060



10100R – any RAL palette or NCS color* + Plinth M1060


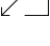




1. MDF tab 1060
2. Profile F1.M1060
3. Putty
4. GKL
5. Profile for plasterboard

6. Fastening of the suspension is straight
7. The wall
8. Final coating
9. Self-leveling screed
10. Before floor

1060L & 10100L

Decorative primed MDF tab with LED strip channel. It was made taking into account the profile features that allows it to be installed flush with the wall.

	Material	—	MDF
	Length	—	2800 mm
	Height	—	60 and 100 mm
	Width	—	10 mm

 It complements concealed plinth mounting systems S1060 and M1060

 Covering
 > primer (for further painting)
 > any RAL palette or NCS color*

*paint



1060L – White primer + Plinth M1060



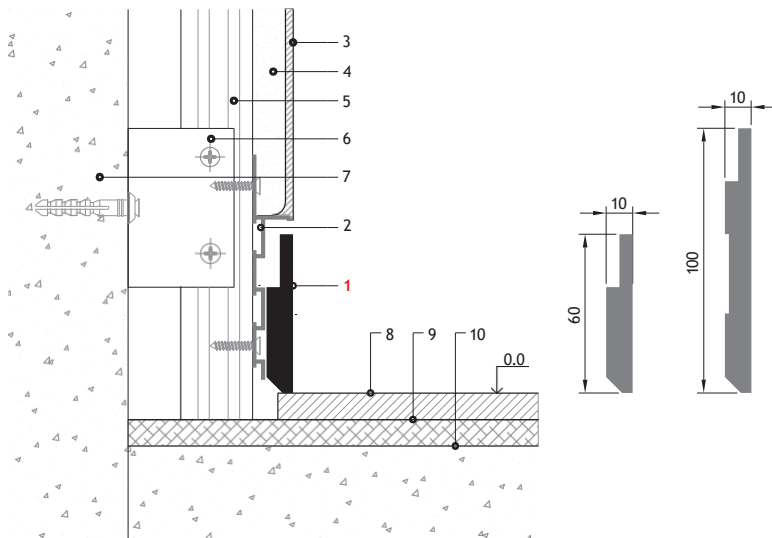
1060LR – any RAL palette or NCS color* + Plinth S1060



10100L – White primer + Plinth S1060



10100LR – any RAL palette or NCS color* + Plinth S1060



1. MDF tab 1060L
2. Profile F1.M1060
3. Putty
4. GKL
5. Profile for plasterboard

6. Fastening of the suspension is straight
7. The wall
8. Final coating
9. Self-leveling screed
10. Before floor

1258 & 12100

Decorative MDF tab.

It was made taking into account the profile features that allows it to be installed flush with the wall.

Material — MDF

Length — 2800 mm
Height — 58 and 100 mm
Width — 12 mm

It complements concealed plinth mounting systems F1.50L10 and F1.100L8

Covering
> primer (for further painting)
> any RAL palette or NCS color*

*paint



1258 — White primer + Plinth F1.50L10



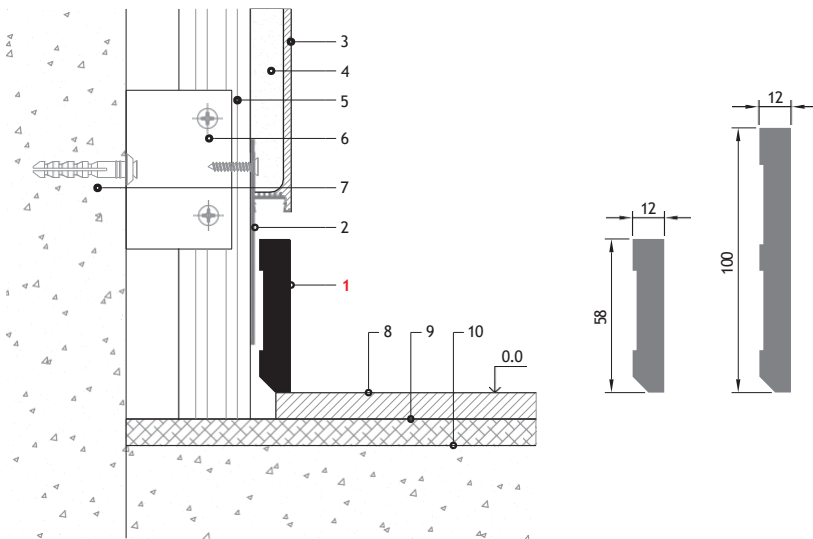
1258R — any RAL palette or NCS color* + Plinth F1.50L10



12100 — White primer + Plinth F1.100L8



1285R — any RAL palette or NCS color* + Plinth F1.100L8



1. MDF tab 1258
2. Profile F1.50L10
3. Putty
4. GKL
5. Profile for plasterboard

6. Fastening of the suspension is straight
7. The wall
8. Final coating
9. Self-leveling screed
10. Before floor

F0.LD10

Diffuser 10 mm White Matte.

Snug fit provides dust and moisture protection with 60-70% of light transmission. UV and heat resistance. Does not become fragile or turn yellow over time.

Material	–	TPE
Light transmission	–	60% - 70%

> Length	–	2500 mm
> Width	–	10 mm

It complements concealed plinth mounting systems F1.50L10 and F1.100L8



F0.LD10 – Diffuser 10 + Shadowline aluminum plinth F1.50L10



F0.LD10 – Diffuser 10 + Shadowline aluminum plinth F1.100L8

F0.LD13

Diffuser 12 mm White Matte.

Snug fit provides dust and moisture protection with 60-70% of light transmission. UV and heat resistance. Does not become fragile or turn yellow over time.

Material	–	TPE
Light transmission	–	60% - 70%

> Length	–	3000 mm
> Width	–	13 mm

It complements concealed plinth mounting systems F1.3028L12 and F1.5028L12



F0.LD13 – Diffuser 13 + Shadowline aluminum plinth F1.3028L12



F0.LD13 – Diffuser 13 + Shadowline aluminum plinth F1.5028L12

Vesse 3, Tallinn
11415 Estonia

+372 6096919
+372 53333789
+372 56227056

www.premiumdesign.ee
www.premium-design.ee