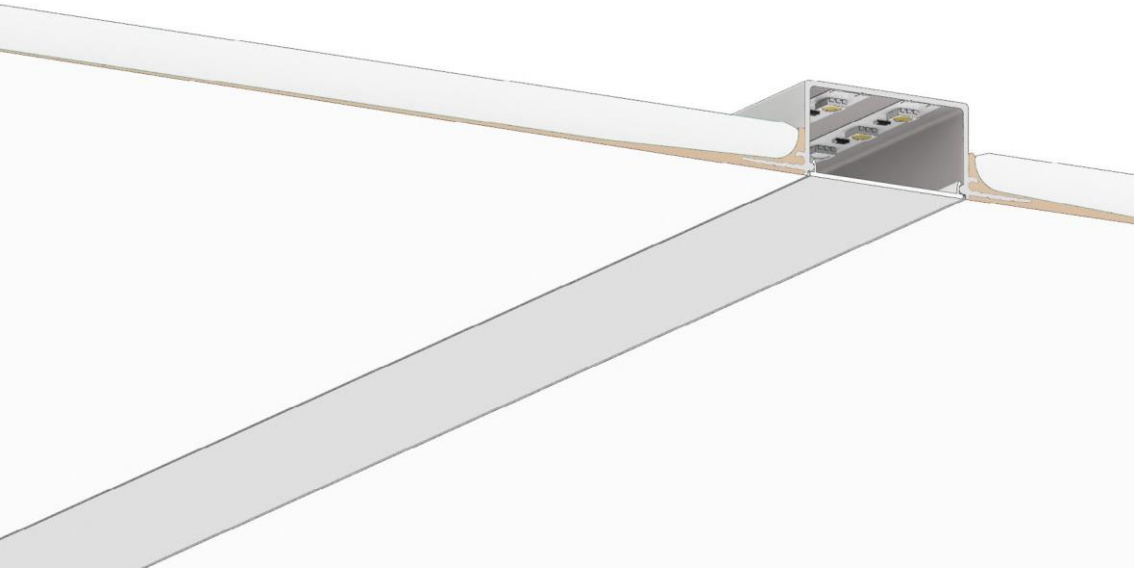


Flexy GIPS
Profiles
for plasterboard
ceilings

Stretch Ceilings
**PREMIUM
DESIGN**



shadow
GIPS EURO 01 
page 4

GIPS EURO 02 
page 10

GIPS EURO 03 
page 16

GIPS EURO 04 
page 22


floating
GIPS FLY 01 
page 28

GIPS FLY 02 
page 34

contour
GIPS KONTUR 01 
page 40

niche
GIPS SPOT NISHA 01 
page 50

lighting
GIPS LINE 35 
page 56

GIPS LINE 50 
page 74

baseboards
GIPS PLINTUS 01 
page 88

GIPS PLINTUS 02 
page 104

GIPS PLINTUS 03 
page 108

COLOR

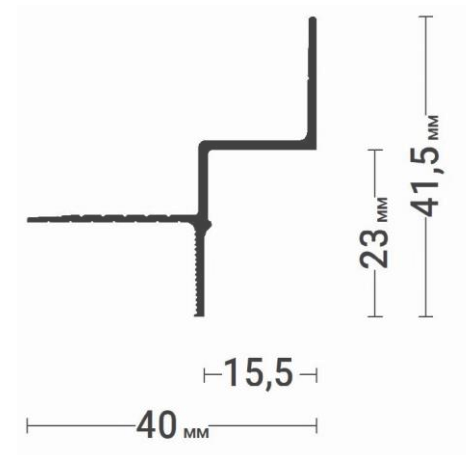
-  Without painting
-  White gloss
-  White mat
-  White
-  Black
-  Black mat
-  Black moire



EURO 01

Flexy GIPS

Wall profile with a 15.5 mm shadowlight cornice for single-layer plasterboard ceilings.



Profile color



Profile length, mm

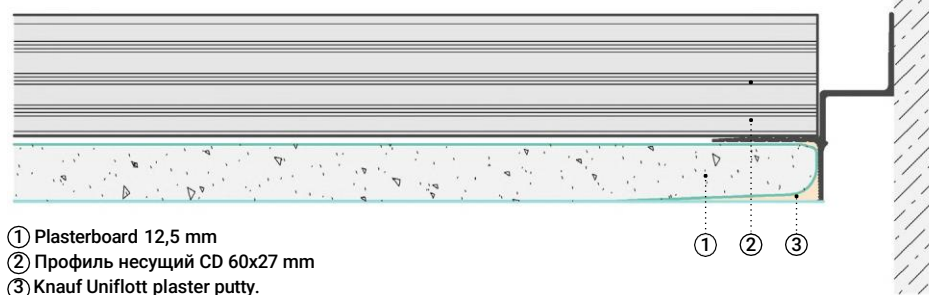
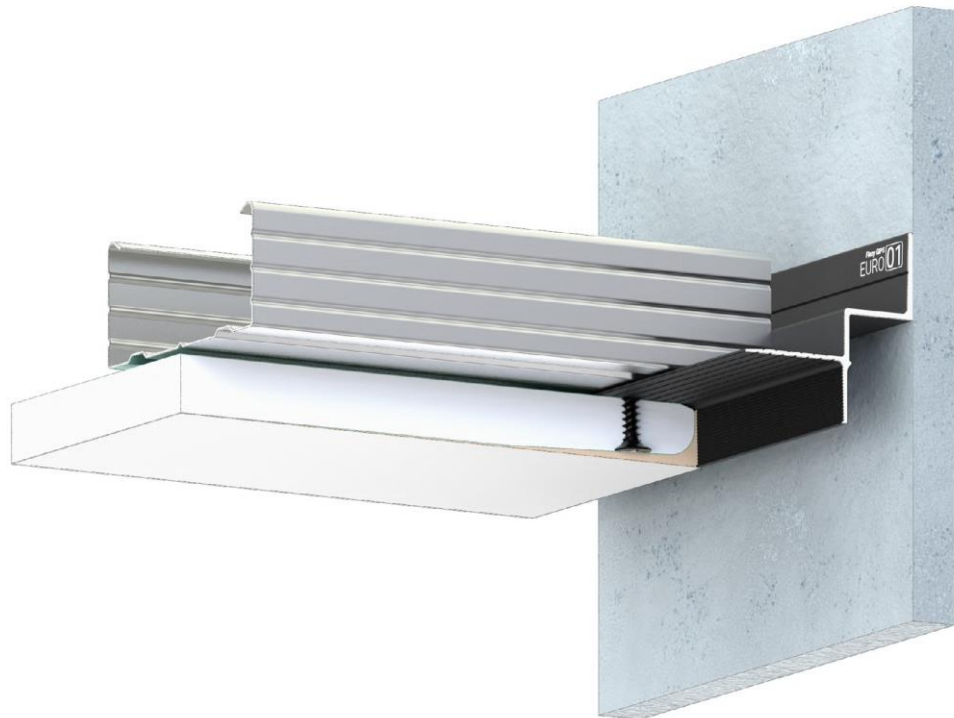
2000

Plasterboard thickness, mm

12,5

Connecting

Two-component adhesive



- ① Plasterboard 12,5 mm
- ② Профиль несущий CD 60x27 mm
- ③ Knauf Uniflott plaster putty.

INSTALLATION

1. Attach GIPS EURO 01 profile around the perimeter of the room with self-tapping screws in max 500 mm increments. Eliminate the differences of the joined profiles with two-component glue.
2. Attach bearing profile CD 60x27 mm ② to the ceiling with suspensions.
3. Attach the plasterboard ① sheet to GIPS EURO 01 profile and the bearing profile CD 60x27 mm with screws. The gap between the plasterboard sheet and GIPS EURO 01 profile is 2-3 mm. Attachment pitch: not more than 200 mm.
4. Plaster the joint between plasterboard and GIPS EURO 01 profile with KNAUF Uniflott joint sealing putty ③.
5. Perform finishing.

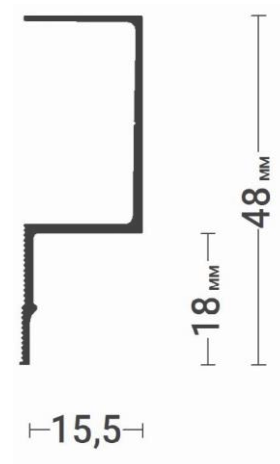
Flexy GIPS | Shadow gaps





Flexy GIPS
EURO 02

Wall profile with a 15.5 mm shadowlight cornice for double-layer plasterboard ceilings.



Profile color



Profile length, mm

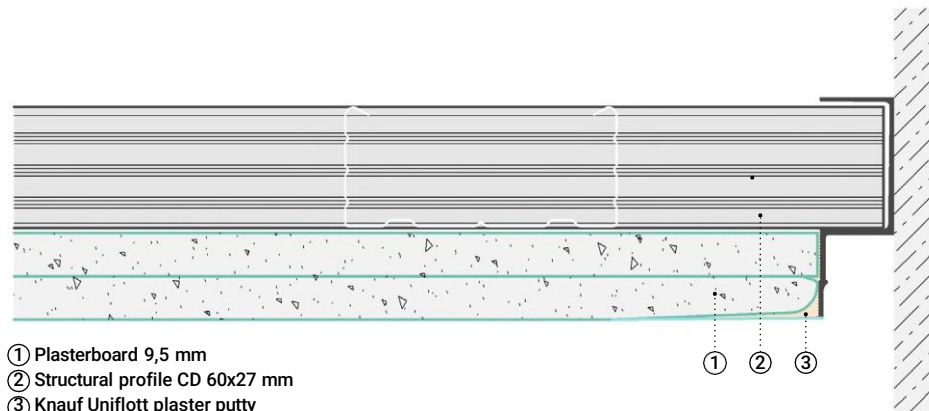
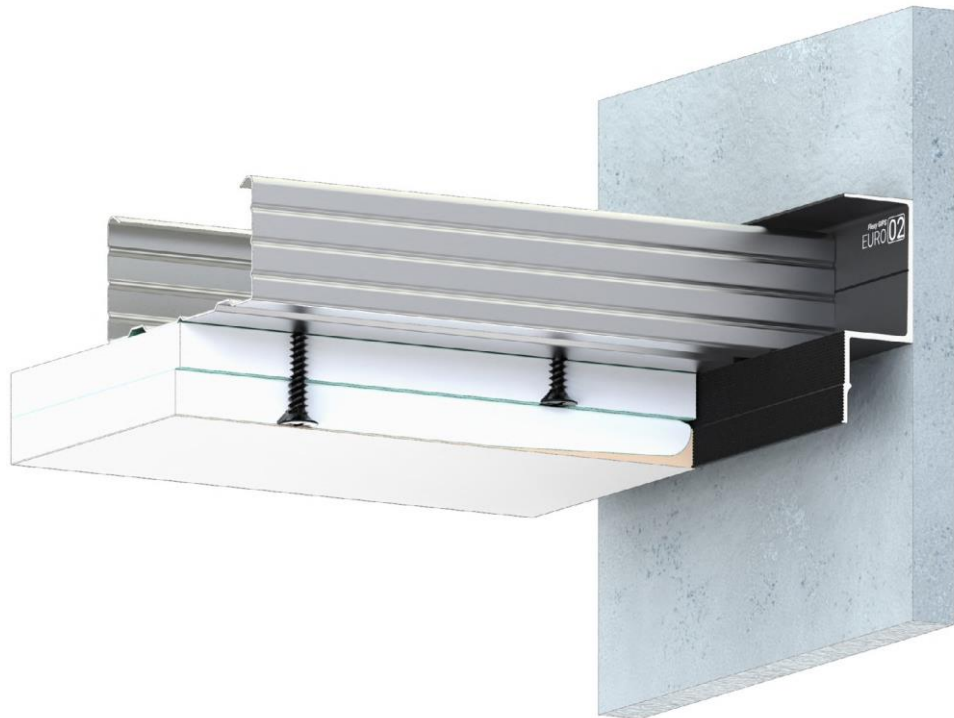
2000

Plasterboard thickness, mm

9,5

Connecting

Two-component adhesive



- ① Plasterboard 9,5 mm
- ② Structural profile CD 60x27 mm
- ③ Knauf Uniflott plaster putty

INSTALLATION

1. Attach GIPS EURO 02 profile around the perimeter of the room with self-tapping screws in max 500 mm increments. Eliminate the differences of the joined profiles with two-component glue.
2. Attach bearing profile CD 60x27 mm ② to the ceiling with suspensions.
3. Attach the plasterboard ① sheet to GIPS EURO 02 profile and bearing profile CD 60x27 mm. The gap between the plasterboard and GIPS EURO 02 profile is 2-3 mm. Attachment pitch: not more than 200mm.
4. Plaster the joint between plasterboard and GIPS EURO 02 profile with KNAUF Uniflott joint sealing putty ③.
5. Perform finishing.

Flexy GIPS | Shadow gaps

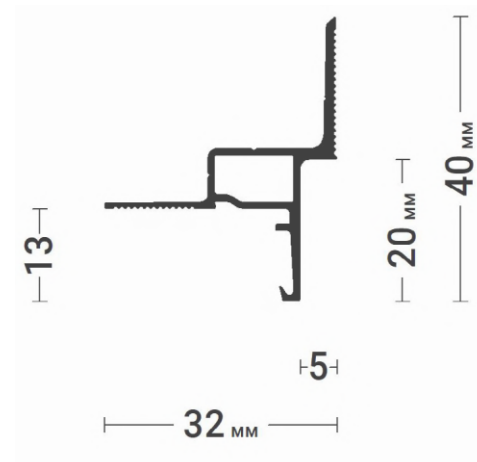




EURO 03

Flexy GIPS

Wall profile with a 5 mm shadowlight cornice for single-layer plasterboard ceilings.



Profile color



Profile length, mm

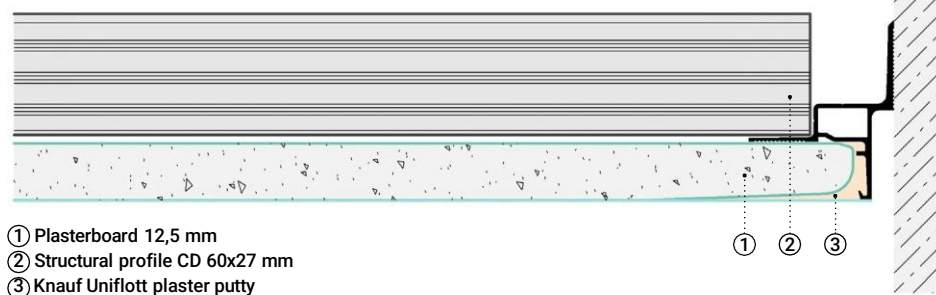
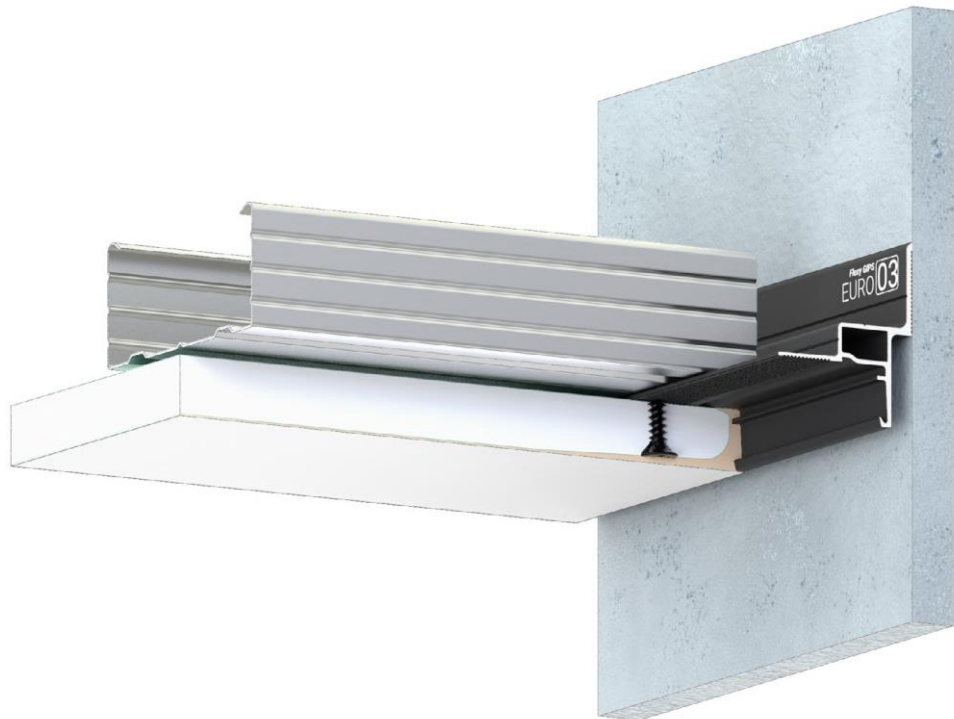
2000

Plasterboard thickness, mm

12,5

Connecting

Two-component adhesive



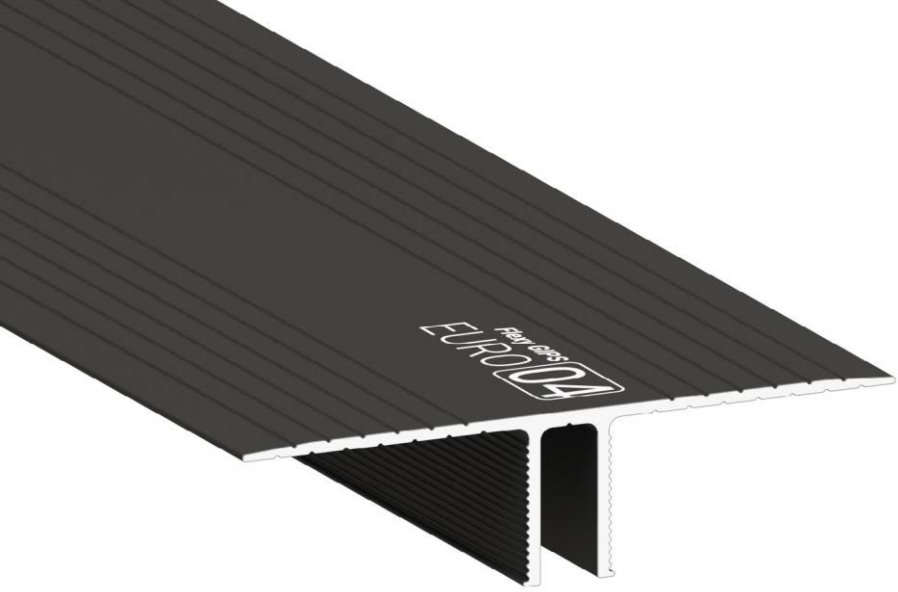
- ① Plasterboard 12,5 mm
- ② Structural profile CD 60x27 mm
- ③ Knauf Uniflott plaster putty

INSTALLATION

1. Attach GIPS EURO 03 profile around the perimeter of the room with self-tapping screws or dowels in max 500 mm increments. Eliminate the differences of the joined profiles with two-component glue.
2. Attach bearing profile CD 60x27 mm ② to the ceiling with suspensions.
3. Attach the plasterboard ① sheet to GIPS EURO 03 profile and bearing profile CD 60x27 mm. The gap between the plasterboard and GIPS EURO 03 profile is 2-3 mm. Attachment pitch: not more than 200mm.
4. Plaster the joint between plasterboard and GIPS EURO 03 profile with KNAUF Uniflott joint sealing putty ③.
5. Perform finishing.

Flexy GIPS | Shadow gaps

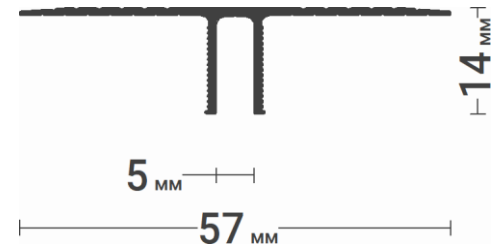




EURO 04

Flexy GIPS

Dividing profile with a 5 mm shadowlight cornice for single-layer plasterboard ceilings.



Profile color



Profile length, mm

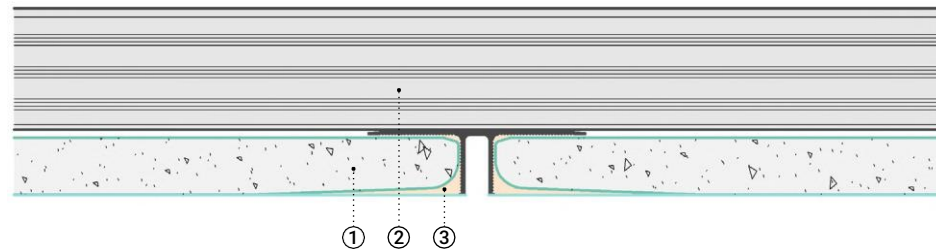
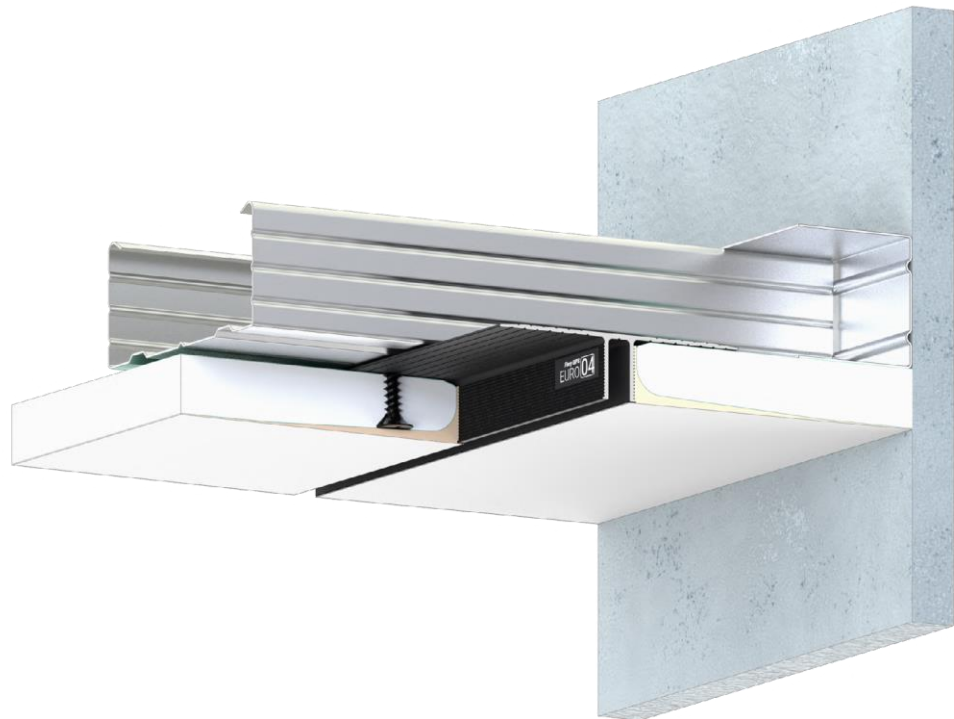
2000

Plasterboard thickness, mm

12,5

Connecting

Two-component adhesive



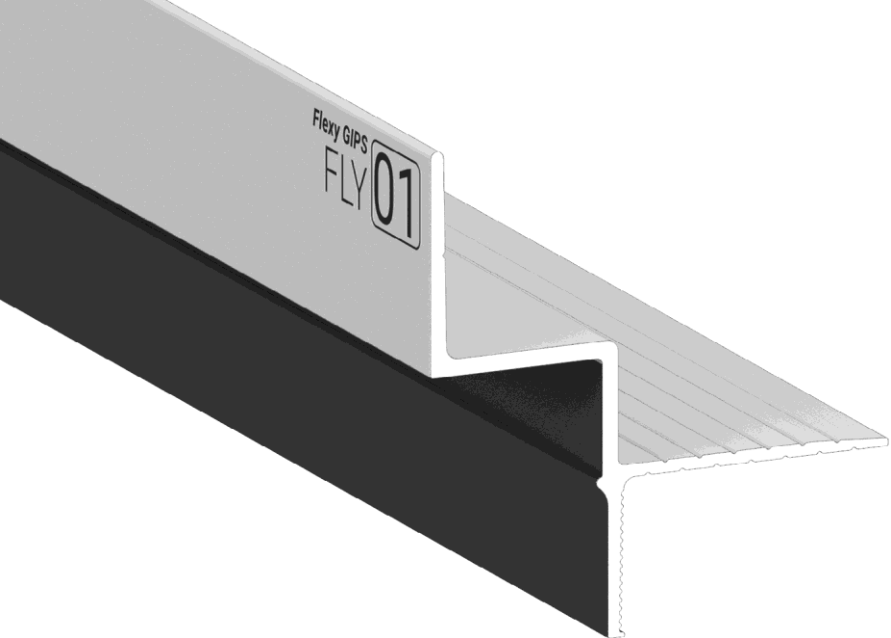
- ① Plasterboard 12,5 mm
- ② Structural profile CD 60x27 mm
- ③ KNAUF Uniflott plaster putty

INSTALLATION

1. Attach guide profile UD 27x28 mm around the perimeter of the room.
2. Attach bearing profile CD 60x27 mm ② to the ceiling with suspensions.
3. Attach GIPS EURO 04 profile to bearing profile CD 60x27 mm with a crimper or self-tapping screws with max 600 mm increments. Eliminate the differences of the joined profiles with two-component glue.
4. Attach the plasterboard ① sheet to GIPS EURO 04 profile and bearing profile CD 60x27 mm. The gap between the plasterboard and GIPS EURO 04 profile is 2-3 mm. Attachment pitch: not more than 200 mm.
5. Plaster the joint between plasterboard and GIPS EURO 04 profile with KNAUF Uniflott joint sealing putty ③.
6. Perform finishing.

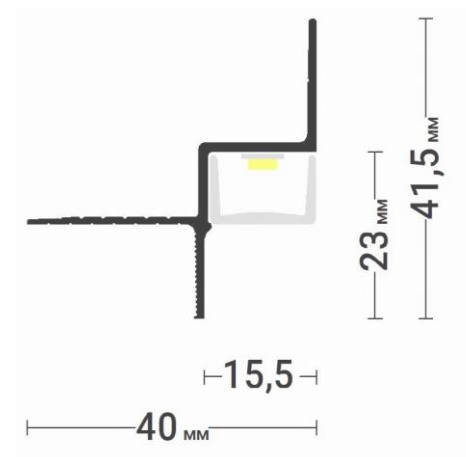
Flexy GIPS | Shadow gaps





Flexy GIPS
FLY 01

Wall profile with a 5 mm shadowlight cornice for single-layer plasterboard ceilings. The light chamber is not painted to ensure reliable fixation of the LED tape.



Profile color



Profile length, mm

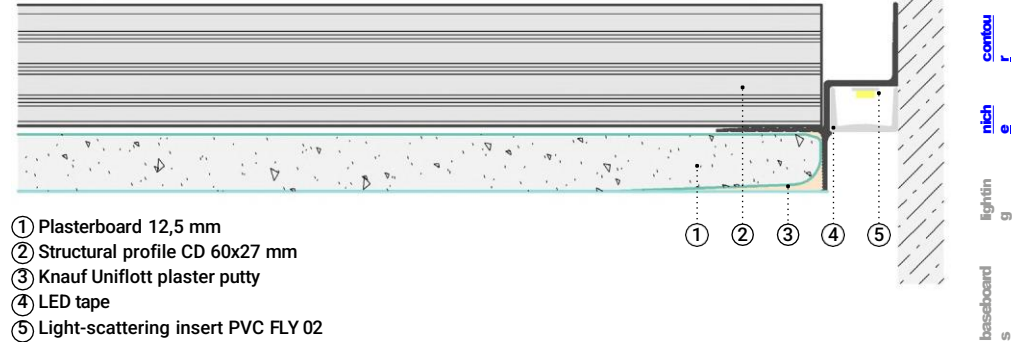
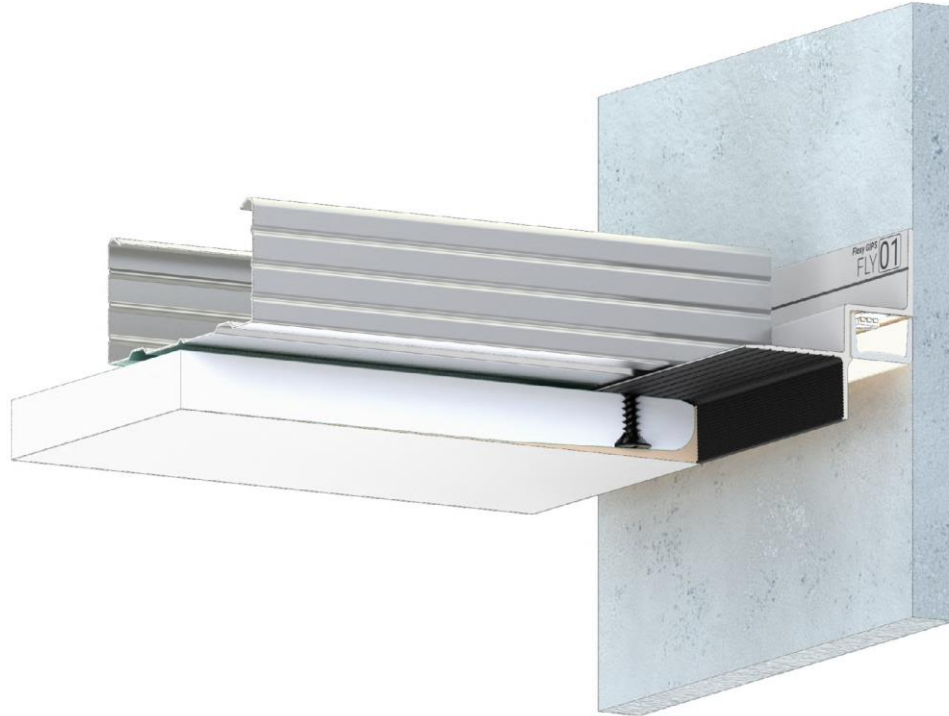
2000

Plasterboard thickness, mm

12,5

Connecting

Two-component
adhesive



- ① Plasterboard 12,5 mm
- ② Structural profile CD 60x27 mm
- ③ Knauf Uniflott plaster putty
- ④ LED tape
- ⑤ Light-scattering insert PVC FLY 02

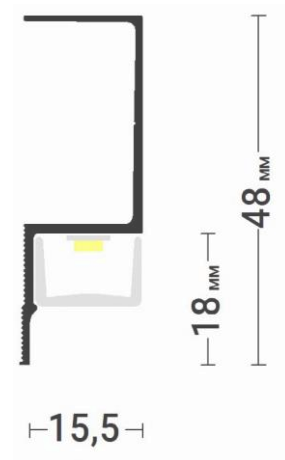
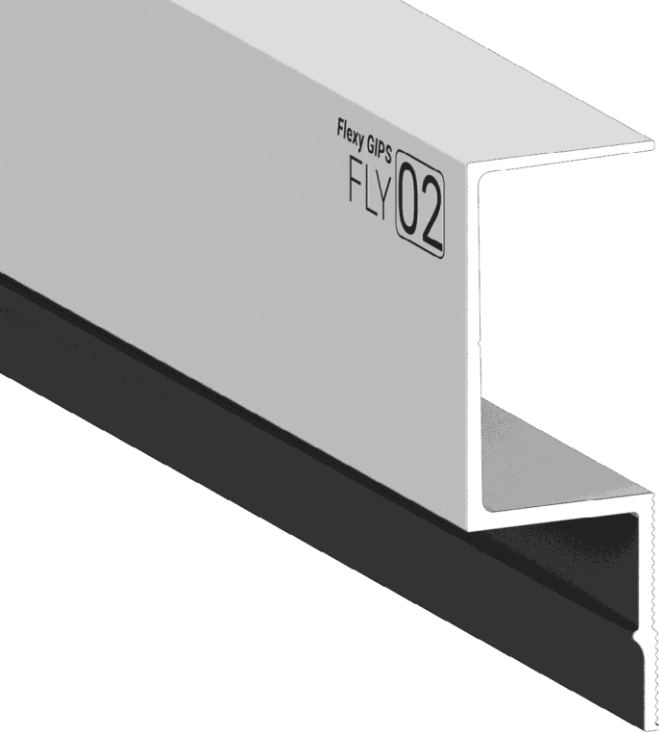
INSTALLATION

1. Attach GIPS FLY 01 profile around the perimeter of the room with self-tapping screws in max 500 mm increments. Eliminate the differences of the joined profiles with two-component glue.
2. Attach bearing profile CD 60x27 mm ② to the ceiling with suspensions.
3. Attach the plasterboard ① sheet to GIPS FLY 01 profile and the bearing profile with screws. The gap between the plasterboard sheet and GIPS EURO 01 profile is 2-3 mm. Attachment pitch: not more than 150 mm.
4. Connect the LED tape ④.
5. Plaster the joint between plasterboard and GIPS FLY 01 profile with KNAUF Uniflott joint sealing putty ③.
6. Perform finishing.
7. Insert the light-scattering insert PVC FLY 01 ⑤.



Flexy GIPS | Light gaps





Wall profile with a 15.5 mm light cornice for double-layer plasterboard ceilings. The light chamber is not painted to ensure reliable fixation of the LED tape.

Profile color



Profile length, mm

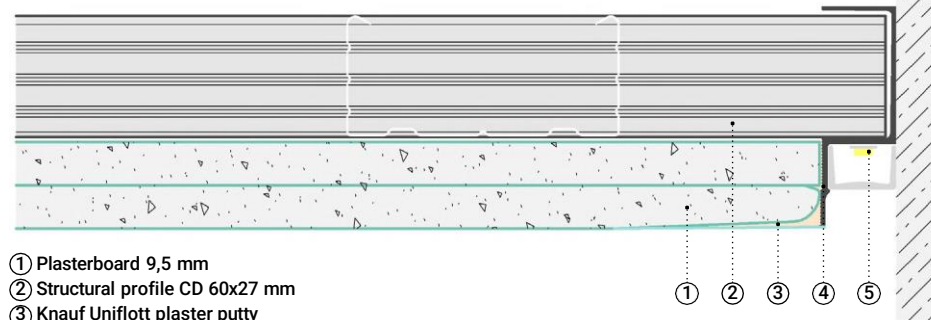
2000

Plasterboard thickness, mm

9,5

Connecting

Two-component adhesive



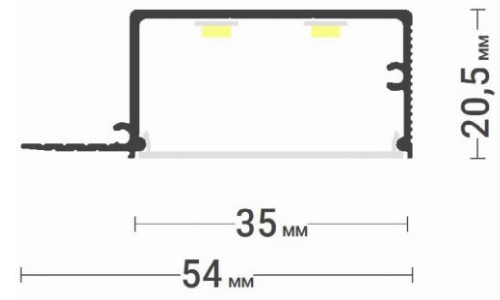
- ① Plasterboard 9,5 mm
- ② Structural profile CD 60x27 mm
- ③ Knauf Uniflott plaster putty
- ④ Light-scattering insert PVC FLY 02
- ⑤ LED tape

INSTALLATION

1. Attach GIPS FLY 02 profile around the perimeter of the room with self-tapping screws in max 500 mm increments. Eliminate the differences of the joined profiles with two-component glue.
2. Attach bearing profile CD 60x27 mm ② to the ceiling with suspensions.
3. Attach the plasterboard ① sheet to GIPS FLY 02 profile and the bearing profile with screws. The gap between the plasterboard sheet and GIPS FLY 02 profile is 2-3 mm. Attachment pitch: not more than 200 mm.
4. Connect the LED tape ⑤.
5. Plaster the joint between plasterboard and GIPS FLY 02 profile with KNAUF Uniflott joint sealing putty ③.
6. Perform finishing.
7. Install PVC insert FLY 02 ④.

Флэкси Гипс | Light gaps





KONTUR 01

Flexy GIPS

Backlit wall perimeter profile The LED tape is covered with a light-scattering screen. The profile can be used as a backlit floor skirting board.

Profile color



Profile length, mm

2000

Plasterboard thickness, mm

9,5

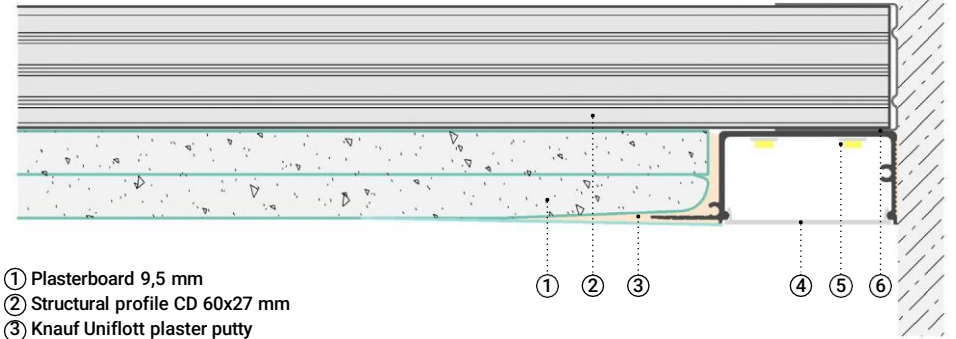
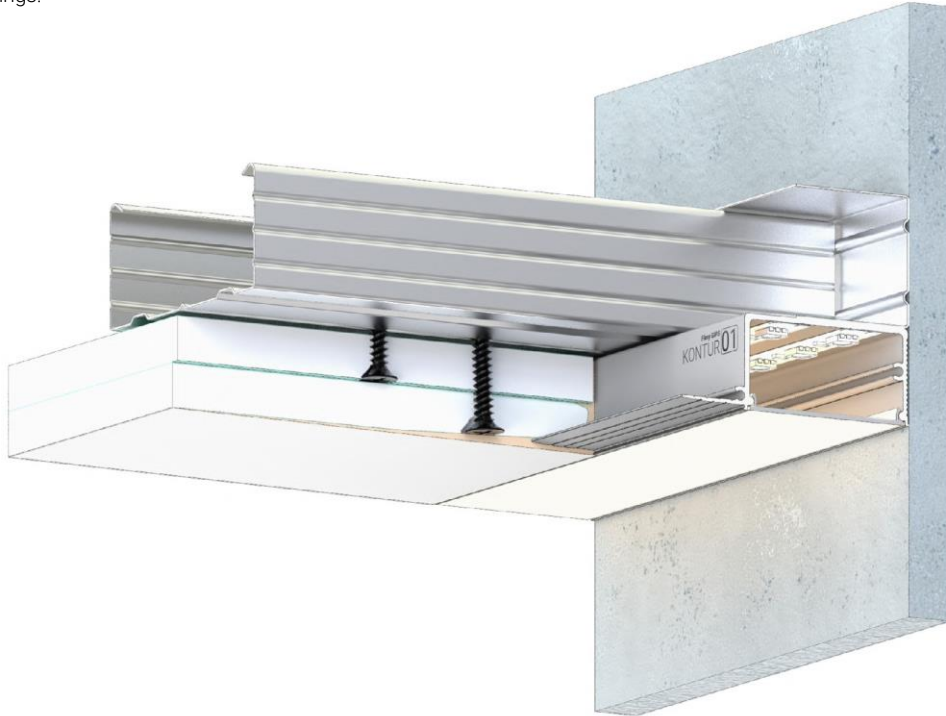
Connecting

rods

Flexy GIPS KONTUR 01

Flexy GIPS | Light Lines

Application 1. For contour lighting of ceilings.



- ① Plasterboard 9,5 mm
- ② Structural profile CD 60x27 mm
- ③ Knauf Uniflott plaster putty
- ④ Light-scattering screen SCREEN 34
- ⑤ LED tape
- ⑥ Guide profile UD 27x28 mm

INSTALLATION

1. Attach guide profile UD 27x28 mm ⑥ around the perimeter of the room.
2. Attach bearing profile CD 60x27 mm ② to the ceiling with suspensions.
3. Attach the plasterboard ① to the frame in such a way that the joints of the 1st plasterboard layer do not coincide with the joints of the 2nd plasterboard layer. At the installation place of GIPS KONTUR 01 profile, the plasterboard ends should be at a distance of 42 mm from the wall.
4. Attach GIPS KONTUR 01 profile with KNAUF Uniflott ③ plaster putty and a self-tapping screw. Plaster the protruding parts of GIPS KONTUR 01 profile.
5. Connect the LED tape ⑤ to the prepared wires.
6. Perform finishing.
7. Insert the light-scattering screen SCREEN 34 ④

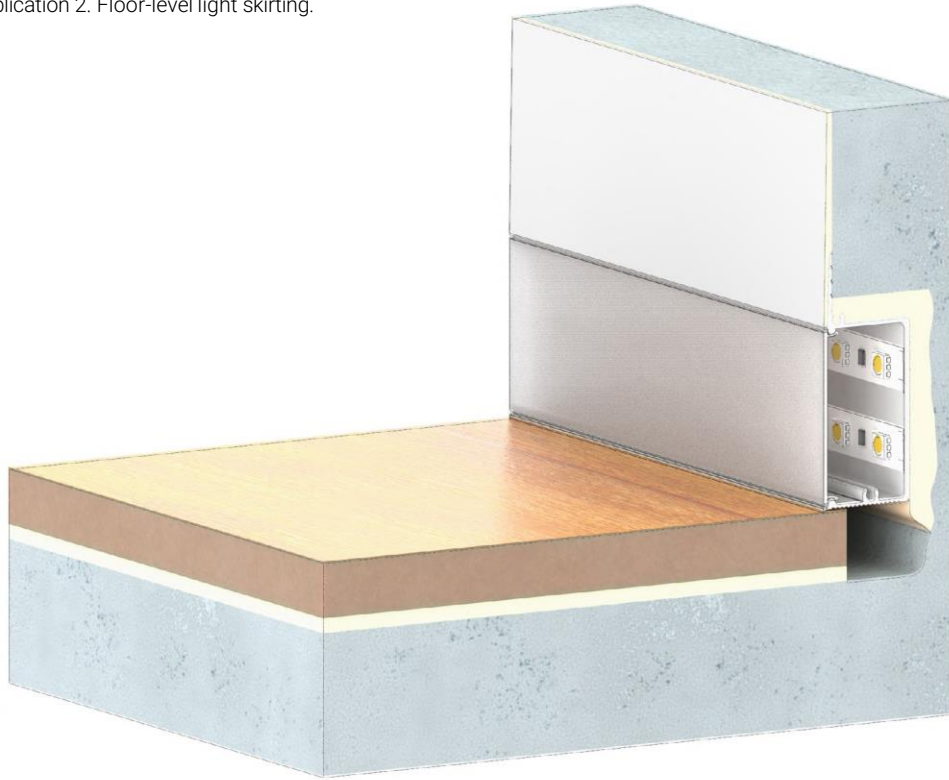
Flexy GIPS | Light Lines



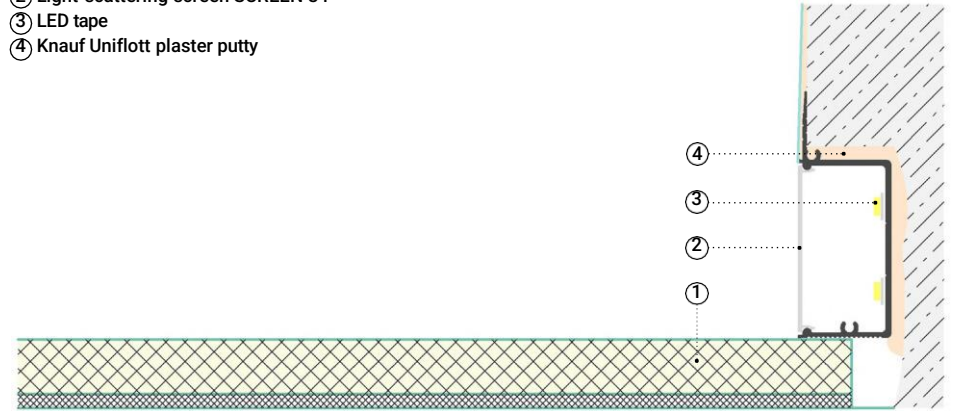
Flexy GIPS KONTUR 01

Application 2. Floor-level light skirting.

Flexy GIPS | Lighted baseboards



- ① Floor covering
- ② Light-scattering screen SCREEN 34
- ③ LED tape
- ④ Knauf Uniflott plaster putty

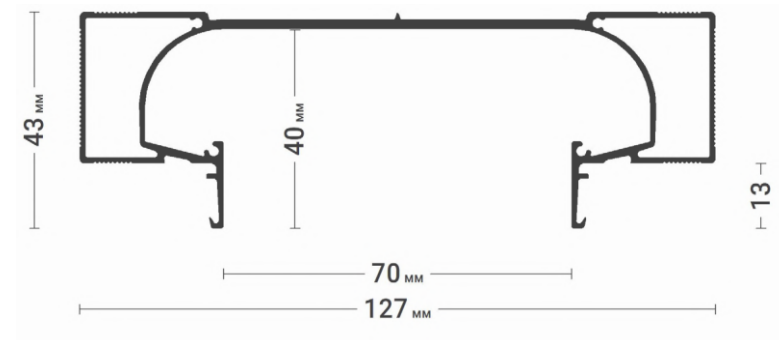


INSTALLATION

1. Before applying the finish to the wall at the installation location of the GIPS KONTUR 01 profile, cut a groove. The width of the groove depends on the thickness of the floor covering and the height of the shadow plinth.
2. Install the floor covering ①.
3. Place GIPS KONTUR 01 profile into the groove on KNAUF Uniflott plaster putty ④.
4. Plaster the protruding parts of GIPS KONTUR 01 profile to the level with the wall.
5. Connect the LED tape ③.
6. Perform finishing. Insert screen SCREEN 34 ②.



Flexy GIPS | Lighted baseboards



SPOT NISHA ^{Flexy GIPS} 01

Recess profile for one-layer plasterboard ceilings
Installation of surface-mounted spot lights and line
lights LED tape ledge.

Profile color



Profile length, mm

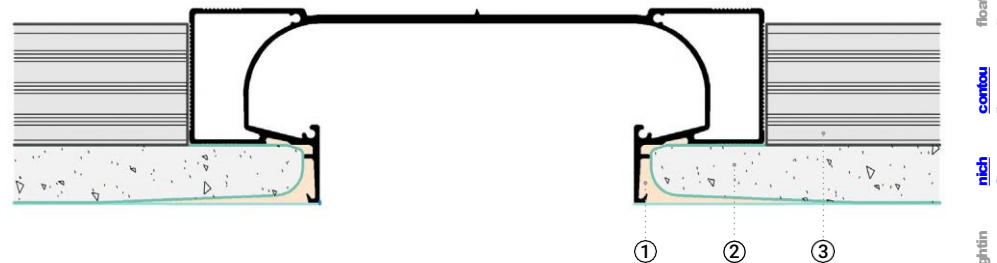
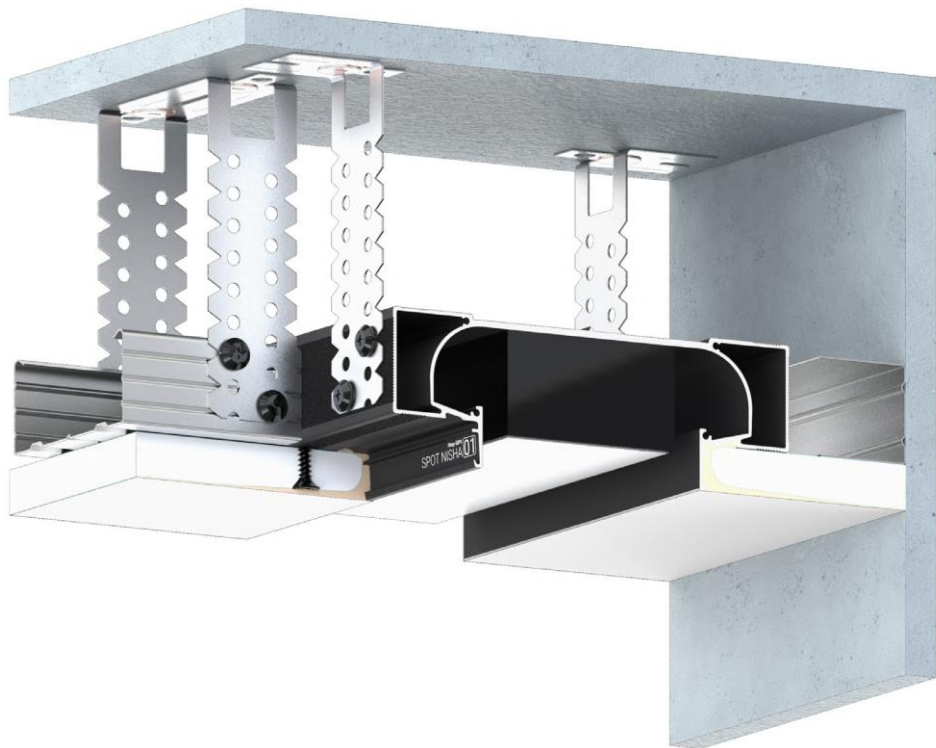
2000

Plasterboard thickness, mm

12,5

Connecting

rods



- ① Knauf Uniflott plaster putty
- ② Plasterboard 12,5 mm
- ③ Structural profile CD 60x27 mm

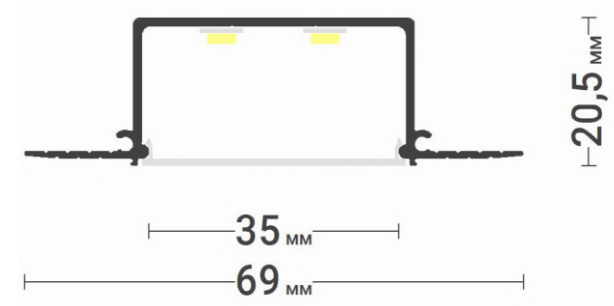
INSTALLATION

1. Attach guide profile UD 27x28 mm around the perimeter of the room.
2. Attach bearing profile CD 60x27 mm ③ to the ceiling with suspensions, leaving a distance for the subsequent attachment of GIPS SPOT NISHA 01 profile.
3. Attach GIPS SPOT NISHA 01 profile with suspensions. There are 3 attachment points per 2 m on each side of the profile.
4. Attach the plasterboard ② sheet to GIPS SPOT NISHA 01 profile and bearing profile CD 60x27 mm. The gap between the plasterboard and GIPS SPOT NISHA 01 profile is 2-3 mm.
5. Plaster the joint between plasterboard and SPOT NISHA 01 01 profile with KNAUF Uniflott joint sealing putty ①.
6. Perform finishing.



Flexy GIPS | Light niches





LINE 35

Flexy GIPS

Separating profile for light lines with a width of 35 mm .
The profile can be used to install single-phase track lighting systems.

Profile color



Profile length, mm

2000

Plasterboard thickness, mm

9,5
12,5

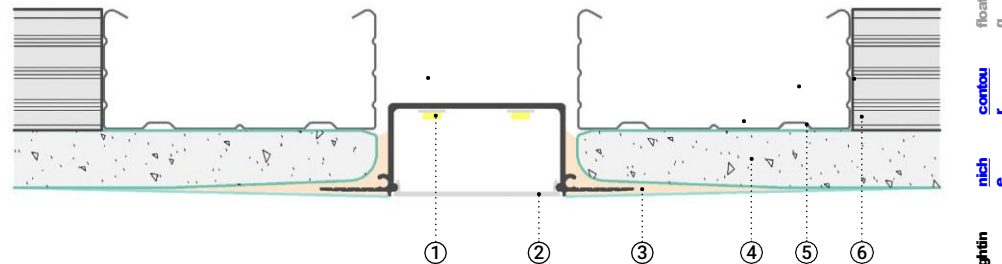
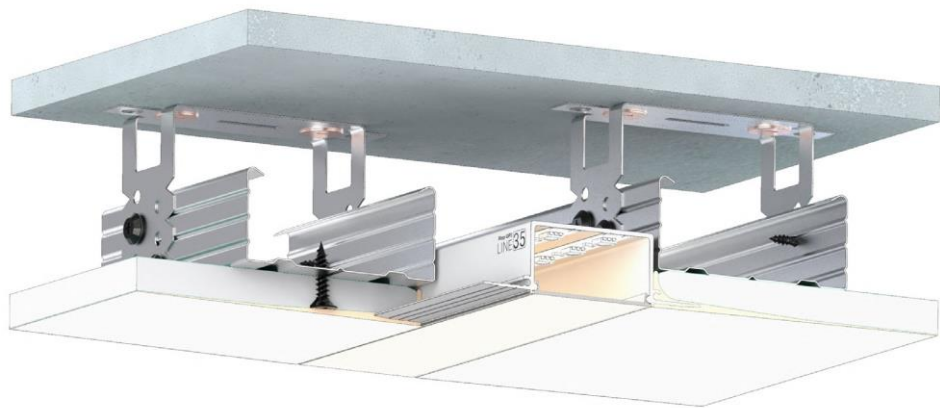
Connecting

rods

Flexy GIPS LINE 35

Flexy GIPS | Light Lines

Application 1. Illuminated lines for single-layer plasterboard ceilings.



- ① LED tape
- ② Light-scattering screen SCREEN 34
- ③ Knauf Uniflott plaster putty
- ④ Plasterboard 12,5 mm
- ⑤ Structural profile CD 60x27 mm
- ⑥ Guide profile UD 27x28 mm

INSTALLATION

1. Attach guide profile UD 27x28 mm around the perimeter of the room.
2. Attach bearing profile CD 60x27 mm to the ceiling with suspensions.
3. Attach the plasterboard to the frame in such a way at the installation site of the GIPS KONTUR01 profile, the ends of the drywall should be 42 mm apart from each other.
4. Attach GIPS LINE 35 profile with KNAUF Uniflott plaster putty. Eliminate the differences of the joined profiles using connecting rods. Plaster the protruding parts.
5. Connect the LED tape.
6. Perform finishing.
7. Insert the light-scattering screen SCREEN 34.



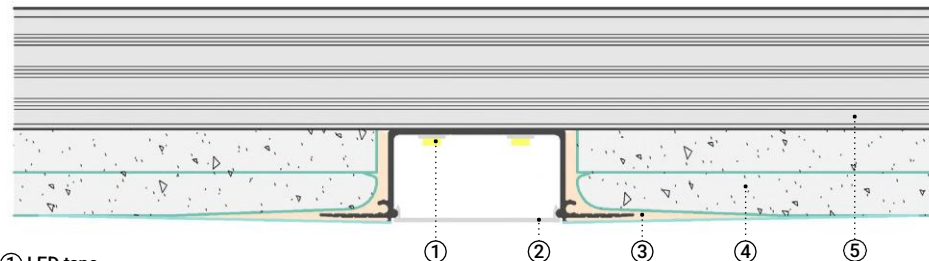
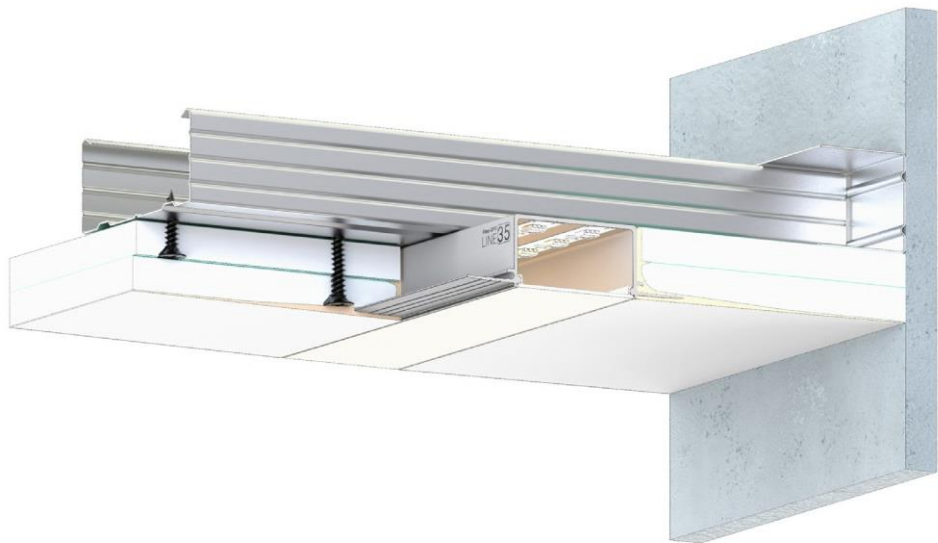


Flexy GIPS | Light Lines

Flexy GIPS LINE 35

Flexy GIPS | Light Lines

Application 2. Illuminated lines for double-layer plasterboard ceilings.



- ① LED tape
- ② Light-scattering screen SCREEN 34
- ③ Knauf Uniflott plaster putty
- ④ Plasterboard 9,5 mm
- ⑤ Structural profile CD 60x27 mm

INSTALLATION

1. Attach guide profile UD 27x28 mm around the perimeter of the room.
2. Attach bearing profile CD 60x27 mm ⑤ to the ceiling with suspensions.
3. Attach the plasterboard ④ to the frame in such a way that the joints of the 1st plasterboard layer do not coincide with the joints of the 2nd plasterboard layer. At the installation place of GIPS KONTUR 01 profile, the plasterboard ends should be at a distance of 42 mm from the wall.
4. Attach GIPS LINE 35 profile with KNAUF Uniflott plaster putty ③ and self-tapping parts of profile.
5. Connect the LED tape ①.
6. Perform finishing.
7. Insert the light-scattering screen SCREEN 34 ②.

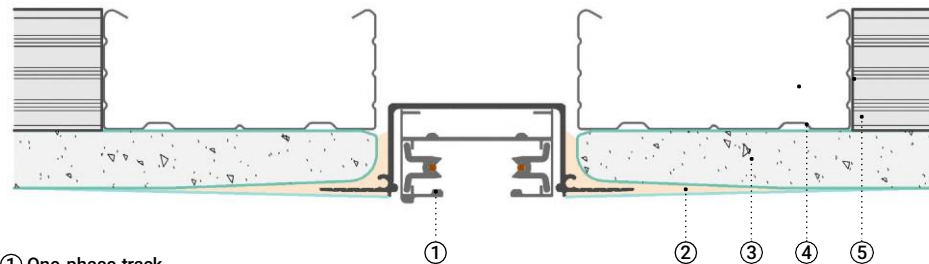
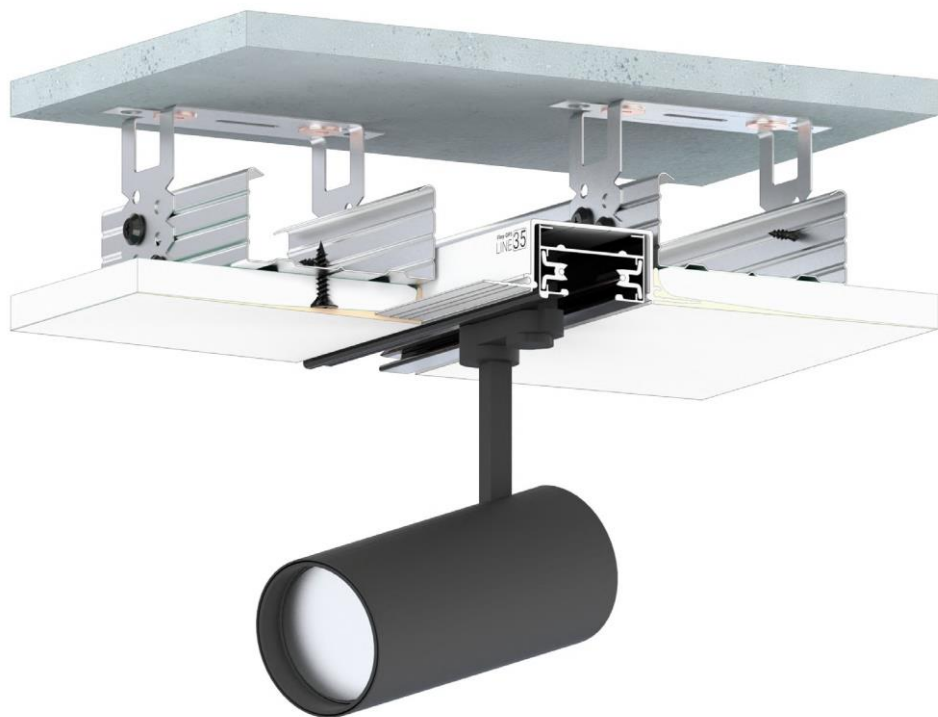
Flexy GIPS | Light Lines



Flexy GIPS LINE 35

Flexy GIPS | Light Lines

Application 3. Recesses for installing track lighting fixtures.

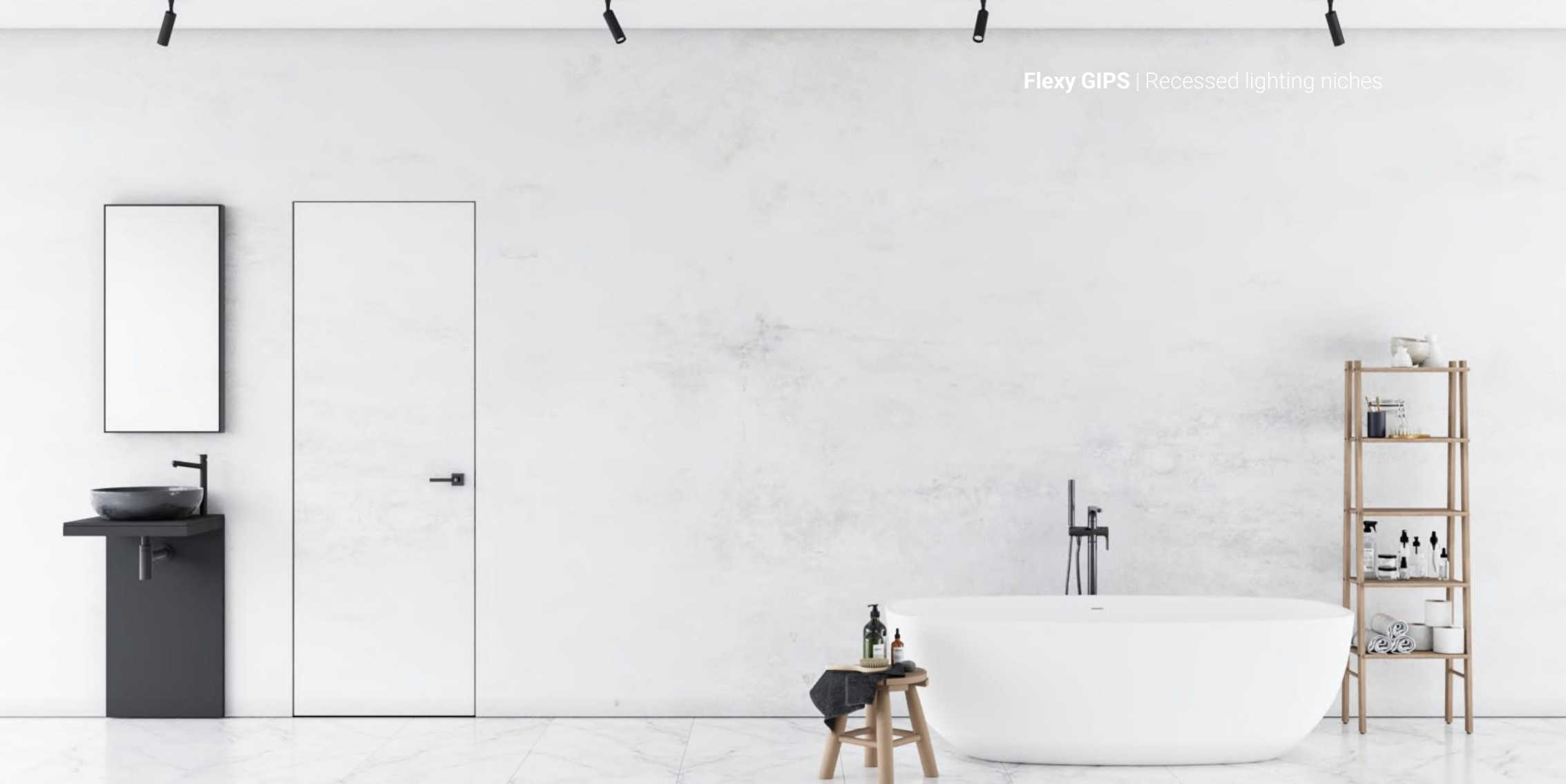


- ① One-phase track
- ② Knauf Uniflott plaster putty
- ③ Plasterboard 12,5 mm
- ④ Structural profile CD 60x27 mm
- ⑤ Guide profile UD 27x28 mm

INSTALLATION

1. Attach guide profile UD 27x28 mm ⑤ around the perimeter of the room.
2. Attach bearing profile CD 60x27 mm ④ to the ceiling with suspensions.
3. Закрепить ГКЛ ③ к каркасу таким образом, чтобы в месте установки профиля GIPS LINE 35 торцы ГКЛ были на расстоянии 45 мм друг от друга.
4. Fix GIPS LINE 35 profile with KNAUF Uniflott putty ②. Eliminate the differences of the joined profiles using connecting rods. Plaster the protruding parts of GIPS KONTUR 01 profile .
5. Perform finishing.
6. Connect a single-phase track rail ① and insert it into GIPS LINE 35 profile. Attach with self-tapping screws. Insert track lights.

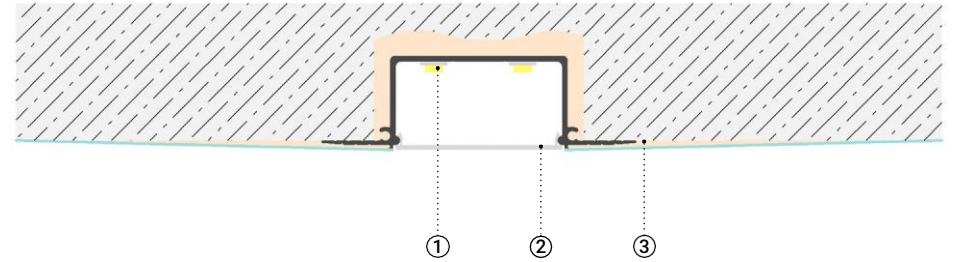
Flexy GIPS | Recessed lighting niches



Flexy GIPS LINE 35

Application 4. Recessed illuminated lines in walls.

Flexy GIPS | Light Lines



- ① LED tape
- ② Light-scattering screen SCREEN 34
- ③ Knauf Uniflott plaster putty

INSTALLATION

1. Before finishing the wall cut a strobe in the wall according to the light line layout.
2. Fix the shadow skirting with KNAUF Uniflott plaster putty ③.
3. Place GIPS LINE 35 profile onto KNAUF Uniflott plaster putty into the cut-out strobe and plaster the protruding parts of the profile at the level with the wall.
4. Connect the LED tape ①.
5. Perform finishing. Insert the screen SCREEN 34 ②.



Flexy GIPS | Light Lines



Flexy GIPS
LINE 50

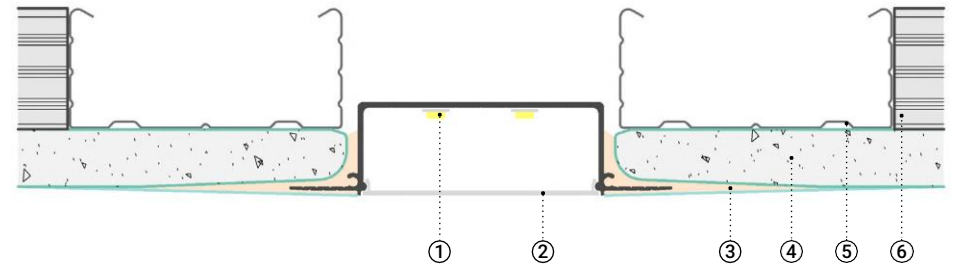
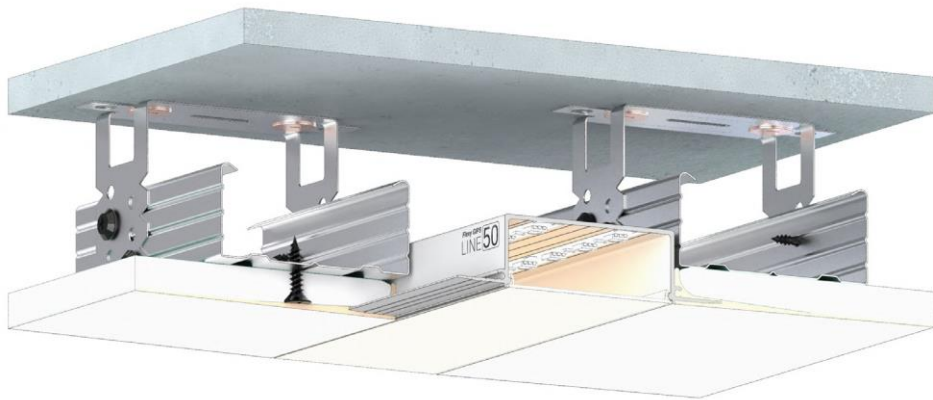
Separating profile for light lines with a width of 50 mm .

Profile color	Profile length, mm	Plasterboard thickness, mm	Connecting
⊘	2000	9,5 12,5	rods

Flexy GIPS LINE 50

Flexy GIPS | Light Lines

Application 1. Illuminated lines for
single-layer plasterboard ceilings



- ① LED tape
- ② Light-scattering screen SCREEN 50
- ③ Knauf Uniflott plaster putty
- ④ Plasterboard 12,5 mm
- ⑤ Structural profile CD 60x27 mm
- ⑥ Guide profile UD 27x28 mm

INSTALLATION

1. Attach guide profile UD 27x28 mm ⑥ around the perimeter of the room.
2. Attach bearing profile CD 60x27 mm ⑤ to the ceiling with suspensions. .
3. Attach the plasterboard ④ to the frame in such a way that at the installation place of GIPS LINE 50 profile, the plasterboard ends should be at a distance of 60 mm apart.
4. Fix GIPS LINE 50 profile with KNAUF Uniflott plaster putty ③. Eliminate the differences of the joined profiles using connecting rods. Plaster the protruding parts of profile.
5. Connect the LED tape ①.
6. Perform finishing.
7. Insert the light-scattering screen SCREEN 50 ②.

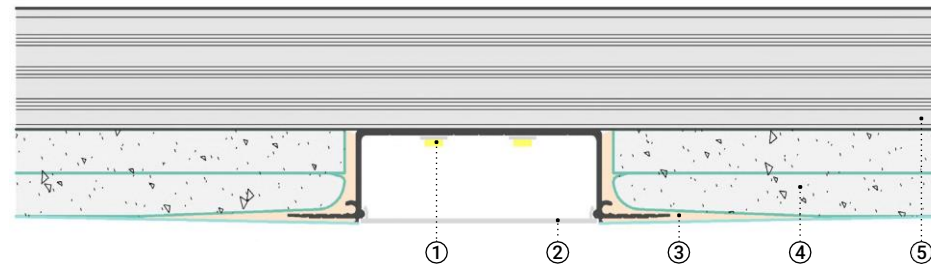
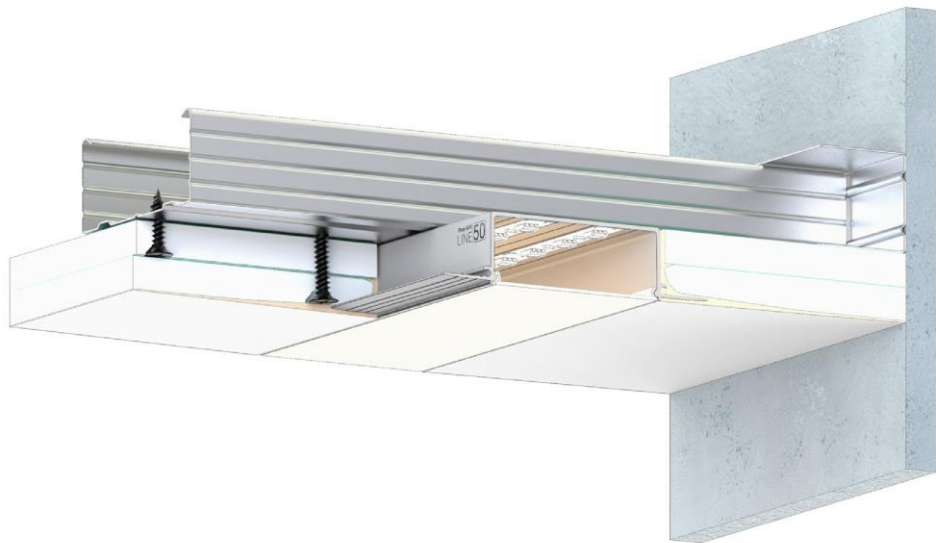
Flexy GIPS | Light Lines



Flexy GIPS LINE 50

Flexy GIPS | Light Lines

Application 2. Illuminated lines for double-layer plasterboard ceilings.



- ① LED tape
- ② Light-scattering screen SCREEN 50
- ③ Knauf Uniflott plaster putty
- ④ Plasterboard 9,5 mm
- ⑤ Structural profile CD 60x27 mm

INSTALLATION

1. Attach guide profile UD 27x28 mm around the perimeter of the room.
2. Attach bearing profile CD 60x27 mm ⑤ to the ceiling with suspensions.
3. Attach the plasterboard ④ to the frame in such a way that at the installation place of GIPS LINE 50 profile, the plasterboard ends should be at a distance of 60 mm apart and the seams of the 1st layer of plasterboard did not coincide with the seams of the 2nd layer of plasterboard.
4. Attach GIPS LINE 50 profile with KNAUF Uniflott plaster putty ③ and self-tapping screws. Eliminate the differences of the joined profiles using connecting rods. Plaster the protruding parts of profile.
5. Connect the LED tape ①.
6. Perform finishing.
7. Insert the light-scattering screen SCREEN 50 ②

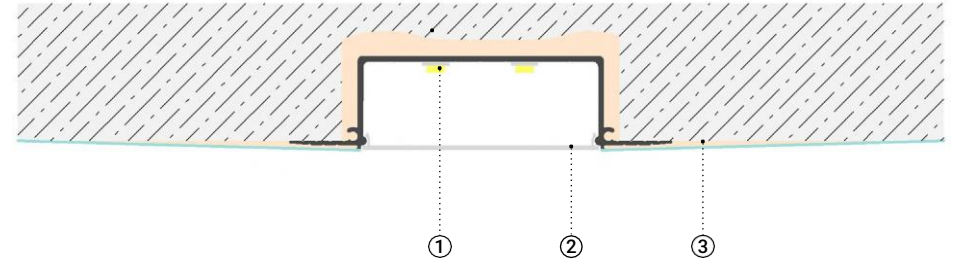
Flexy GIPS | Light Lines



Flexy GIPS LINE 50

Application 3. Recessed illuminated lines in walls.

Flexy GIPS | Light Lines

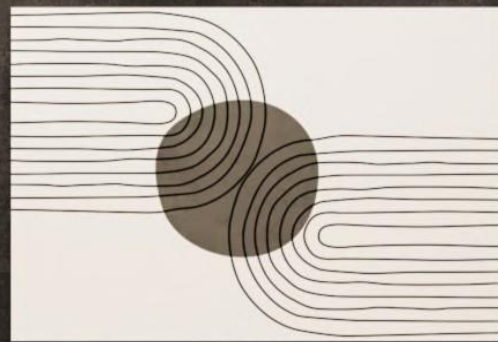


- ① LED tape
- ② Light-scattering screen SCREEN 50
- ③ Knauf Uniflott plaster putty

INSTALLATION

1. Before finishing the wall, cut out a strobe.
2. Fix the shadow skirting with KNAUF Uniflott plaster putty ③
3. Place GIPS LINE 50 profile onto KNAUF Uniflott plaster putty into the cut-out strobe and plaster the protruding parts of the profile at the level with the wall.
4. Connect the LED tape ①.
5. Perform finishing. Insert the screen SCREEN 50 ②.
6. Install the floor covering. Fill the gap between the wall and the tiles using a cork compensator.

Flexy GIPS | Light Lines



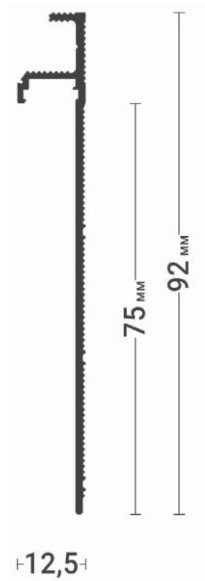


PLINTUS 01

Flexy GIPS



Illuminated profile for baseboards.



Profile color



Profile length, mm

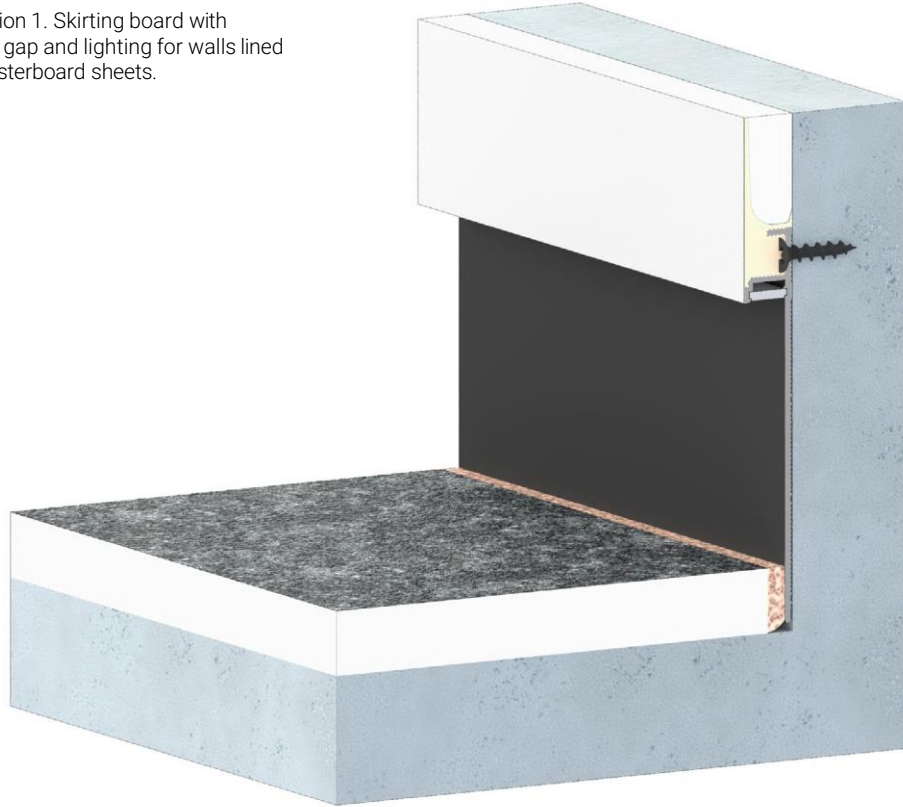
2000

Connecting

glue

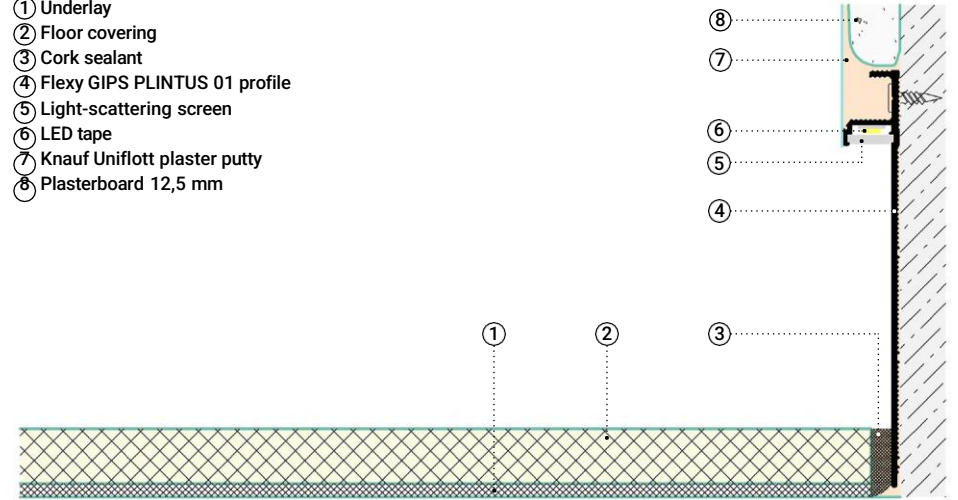
Flexy GIPS PLINTUS 01

Application 1. Skirting board with shadow gap and lighting for walls lined with plasterboard sheets.



Flexy GIPS | Baseboards

- ① Underlay
- ② Floor covering
- ③ Cork sealant
- ④ Flexy GIPS PLINTUS 01 profile
- ⑤ Light-scattering screen
- ⑥ LED tape
- ⑦ Knauf Uniflott plaster putty
- ⑧ Plasterboard 12,5 mm



INSTALLATION

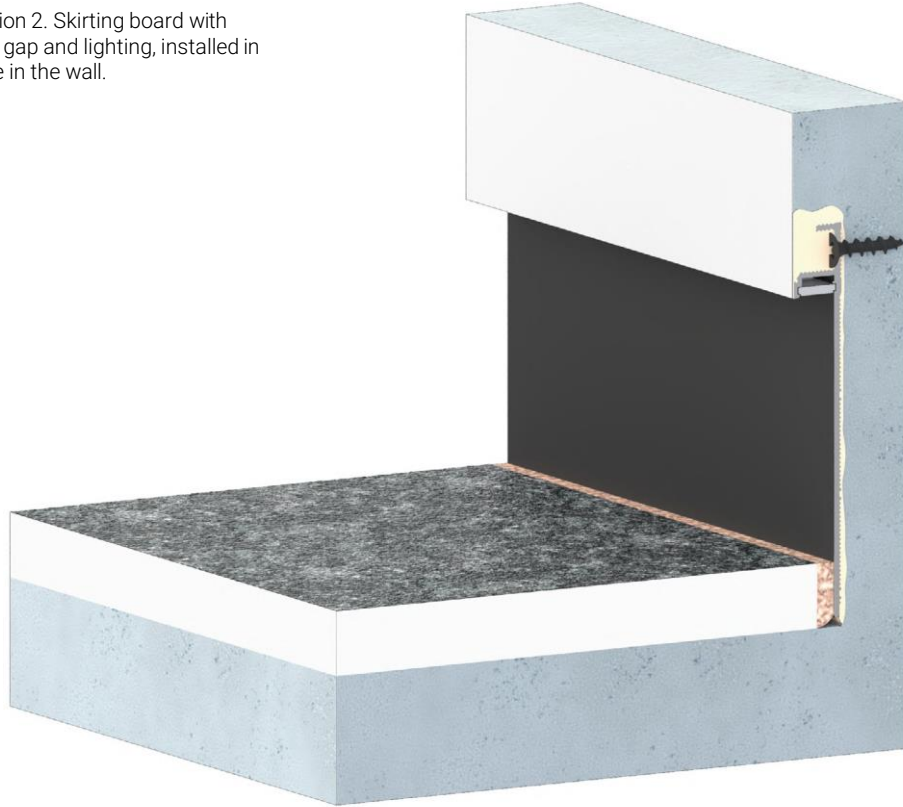
1. Attach GIPS PLINTUS 01 (④) profile with mounting adhesive and self-tapping screws.
2. Connect the LED tape (⑥).
3. Insert the light-scattering insert (⑤).
4. Attach plasterboard (⑧) to the wall.
5. Fill the joint between the profile and the plasterboard with KNAUF Uniflott plaster putty (⑦).
6. Perform finishing.
7. Lay floor covering (②) on underlay (①).
8. Fill the gap between the floor covering and cork sealant (③).



Flexy GIPS | Baseboards

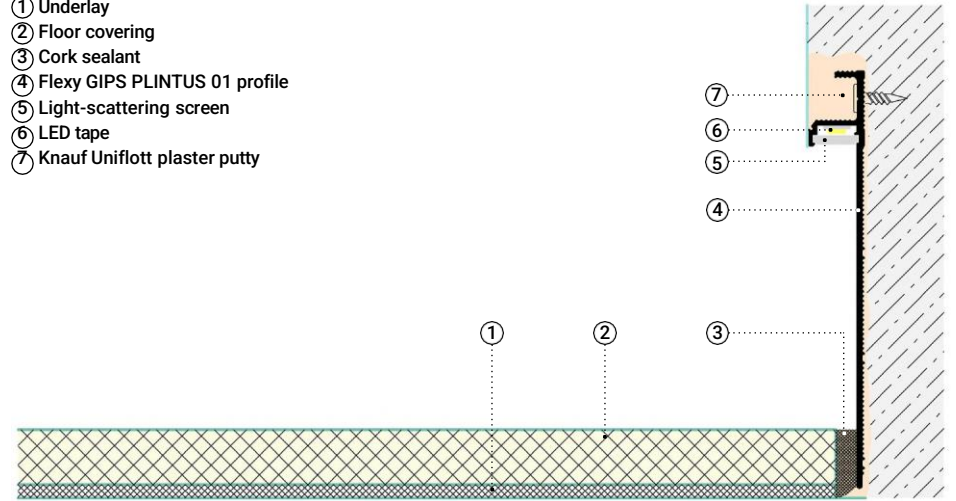
Flexy GIPS PLINTUS 01

Application 2. Skirting board with shadow gap and lighting, installed in a groove in the wall.



Flexy GIPS | Baseboards

- ① Underlay
- ② Floor covering
- ③ Cork sealant
- ④ Flexy GIPS PLINTUS 01 profile
- ⑤ Light-scattering screen
- ⑥ LED tape
- ⑦ Knauf Uniflott plaster putty

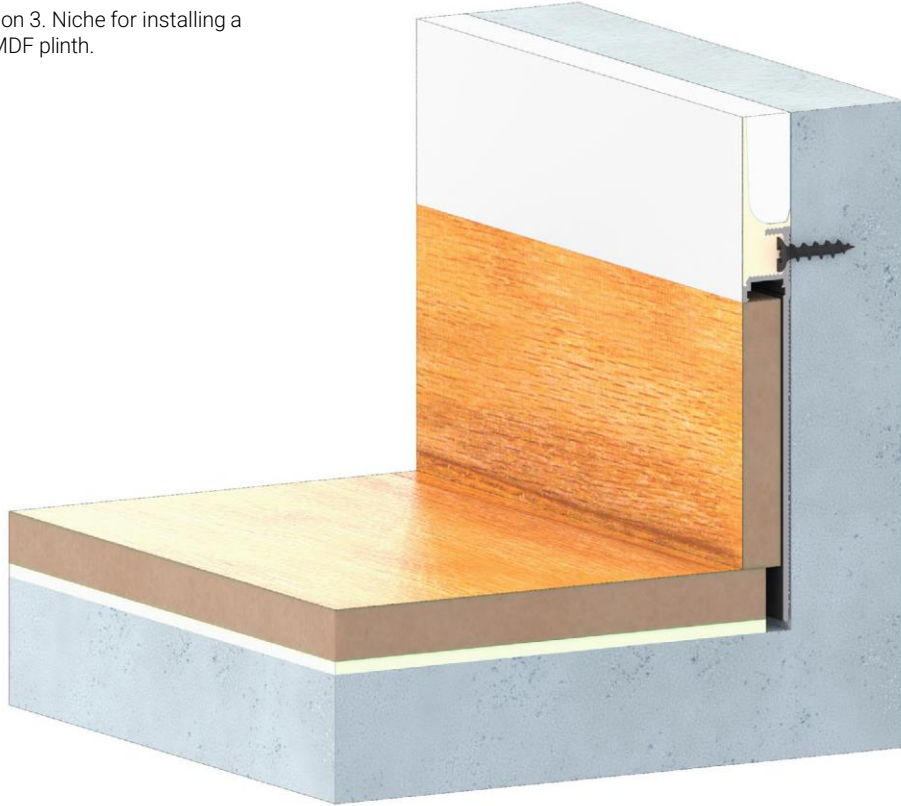


INSTALLATION

1. Before the final finishing of the walls, create a chase. The width of the chase depends on the thickness of the flooring and the width of the profile.
2. Attach GIPS PLINTUS 01 ④ profile with mounting adhesive and self-tapping screws.
3. Connect the LED tape ⑥.
4. Insert the light-scattering insert ⑤.
5. Align the wall plane with the edge of the GIPS PLINTUS 01 profile using KNAUF Uniflott plaster putty ⑦.
6. Perform finishing.
7. Lay floor covering ② on underlay ①.
8. Fill the gap between the floor covering and cork sealant ③.

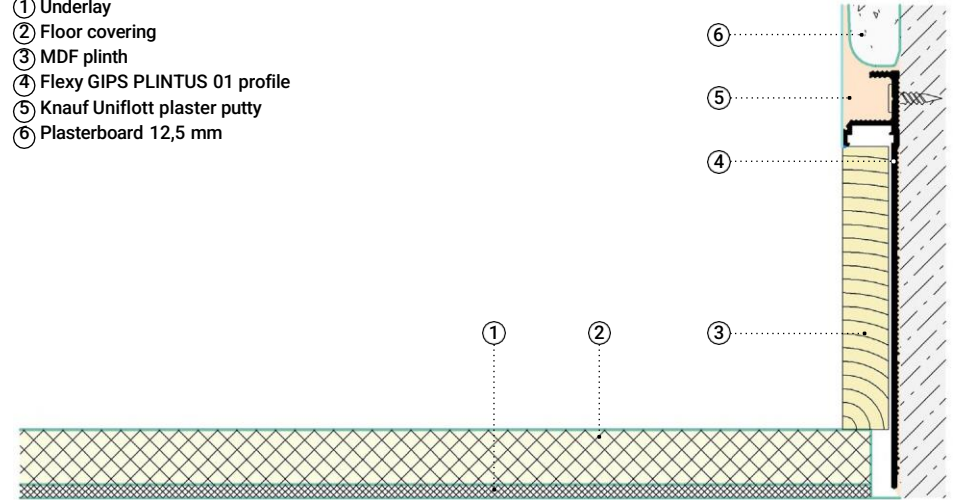
Flexy GIPS PLINTUS 01

Application 3. Niche for installing a hidden MDF plinth.



Flexy GIPS | Baseboards

- ① Underlay
- ② Floor covering
- ③ MDF plinth
- ④ Flexy GIPS PLINTUS 01 profile
- ⑤ Knauf Uniflott plaster putty
- ⑥ Plasterboard 12,5 mm

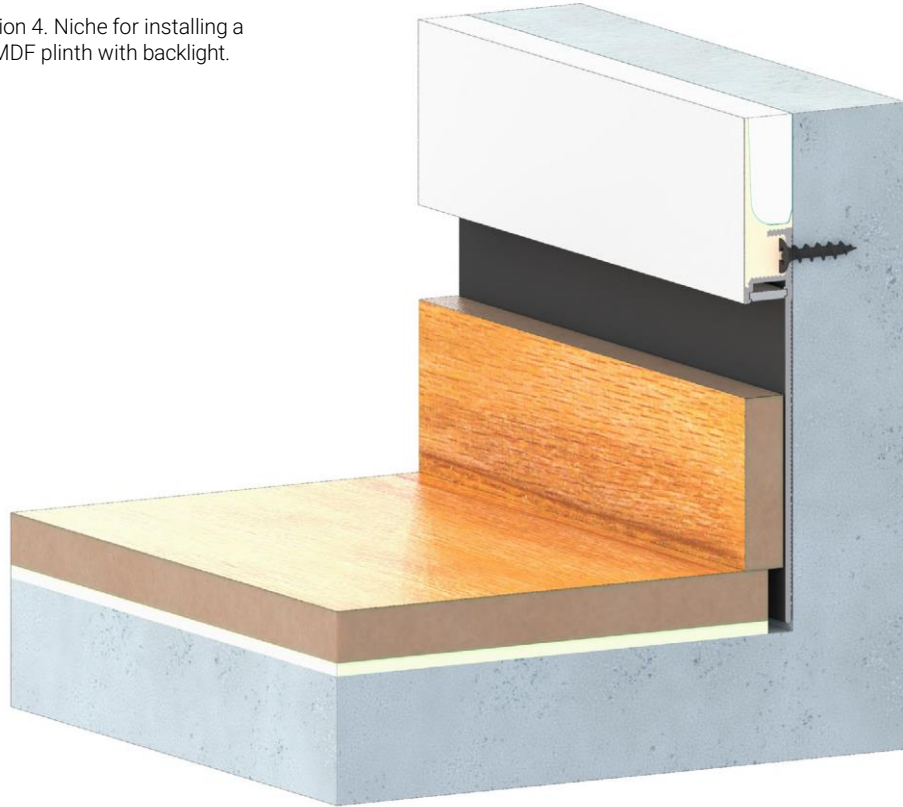


INSTALLATION

1. Attach Flexy GIPS PLINTUS 01 ④ profile with mounting adhesive and self-tapping screws.
2. Attach the plasterboard ⑥ to the wall.
3. Fill the joint between the profile and the plasterboard with KNAUF Uniflott plaster putty ⑤
4. Perform finishing.
5. Lay floor covering ② on underlay ①
6. Attach the MDF plinth ③ with mounting adhesive to the profile.

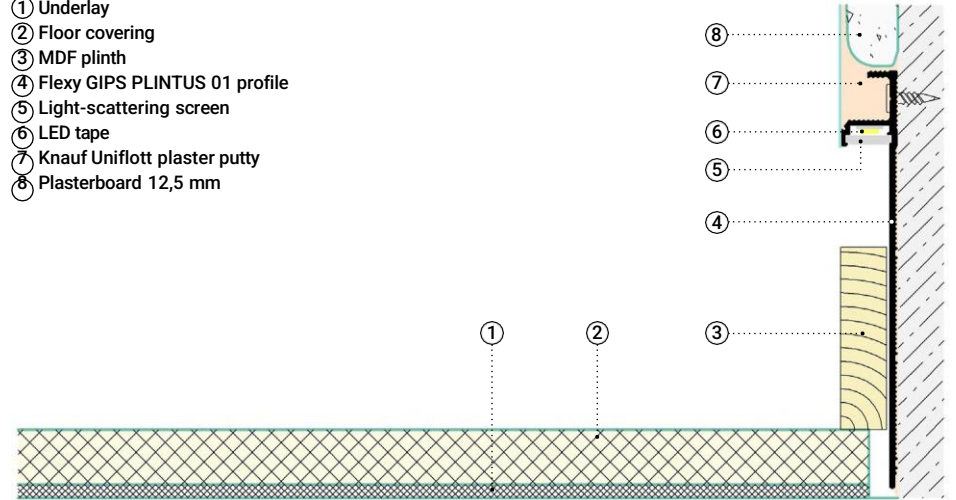
Flexy GIPS PLINTUS 01

Application 4. Niche for installing a hidden MDF plinth with backlight.



Flexy GIPS | Baseboards

- ① Underlay
- ② Floor covering
- ③ MDF plinth
- ④ Flexy GIPS PLINTUS 01 profile
- ⑤ Light-scattering screen
- ⑥ LED tape
- ⑦ Knauf Uniflott plaster putty
- ⑧ Plasterboard 12,5 mm



INSTALLATION

1. Attach Flexy GIPS PLINTUS 01 ④ profile with mounting adhesive and self-tapping screws.
2. Attach the plasterboard ⑧ to the wall.
3. Connect the LED tape ⑥.
4. Insert the light-scattering insert ⑤.
5. Fill the joint between the profile and the plasterboard with Knauf Uniflott plaster putty ⑦.
6. Perform finishing.
7. Lay floor covering ② on underlay ①.
8. Attach the MDF plinth ③ with mounting adhesive to the profile.

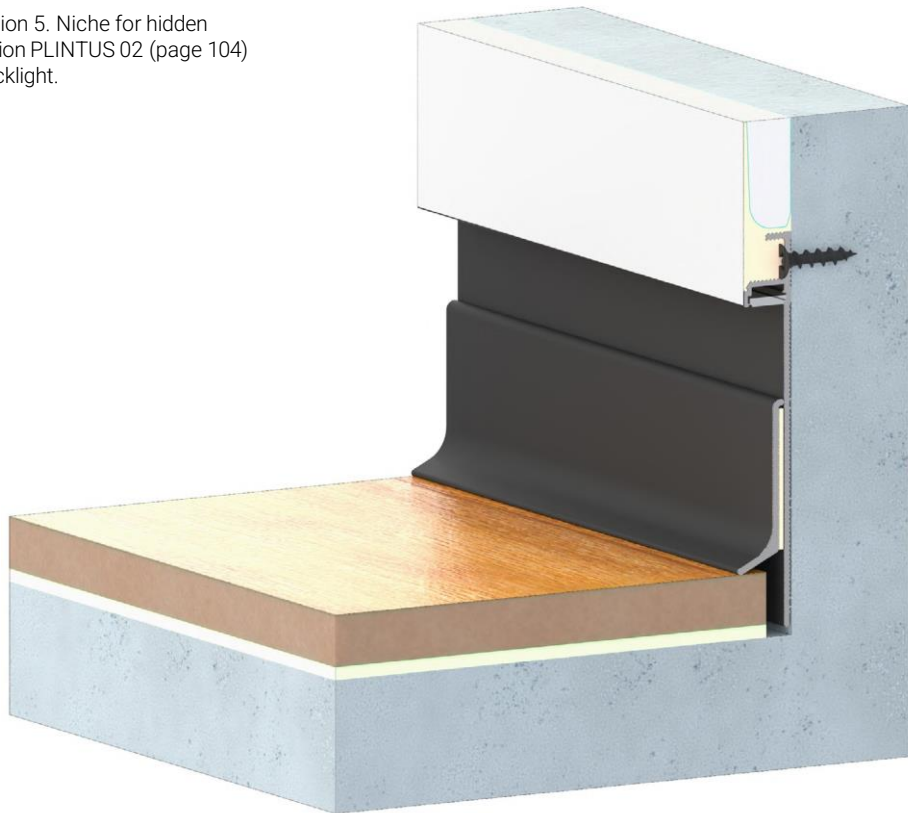


Flexy GIPS | Baseboards



Flexy GIPS PLINTUS 01

Application 5. Niche for hidden installation PLINTUS 02 (page 104) with backlight.



Flexy GIPS | Baseboards

- ① Underlay
- ② Floor covering
- ③ Flexy GIPS PLINTUS 02 profile
- ④ Flexy GIPS PLINTUS 01 profile
- ⑤ Light-scattering screen
- ⑥ LED tape
- ⑦ Knauf Uniflott plaster putty
- ⑧ Plasterboard 12,5 mm



INSTALLATION

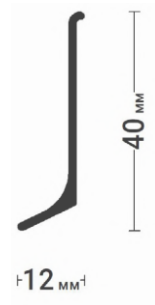
1. Attach Flexy GIPS PLINTUS 01 ④ profile with mounting adhesive and self-tapping screws.
2. Attach the plasterboard ⑧ to the wall.
3. Connect the LED tape ⑥.
4. Insert the light-scattering insert ⑤.
5. Fill the joint between the profile and the plasterboard with KNAUF Uniflott plaster putty ⑦.
6. Perform finishing.
7. Lay floor covering ② on underlay ①.
8. Attach the GIPS PLINTUS 02 profile ③ with mounting adhesive to the profile.



PLINTUS 02

Flexy GIPS

Profile for baseboards.



Profile color



Profile length, mm

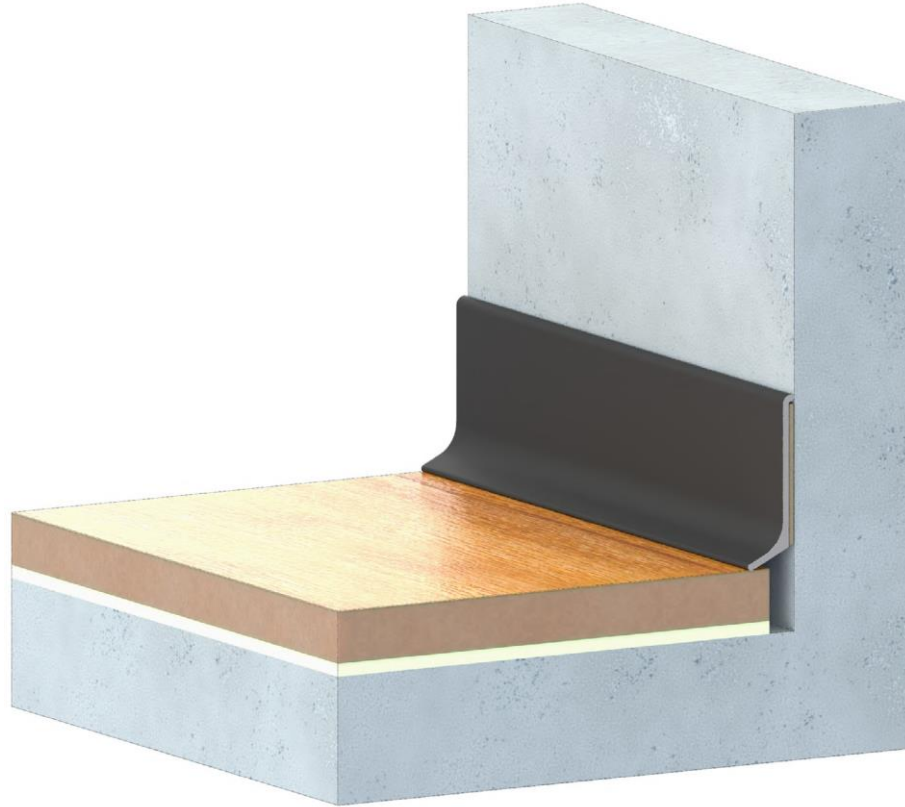
2000

Connecting

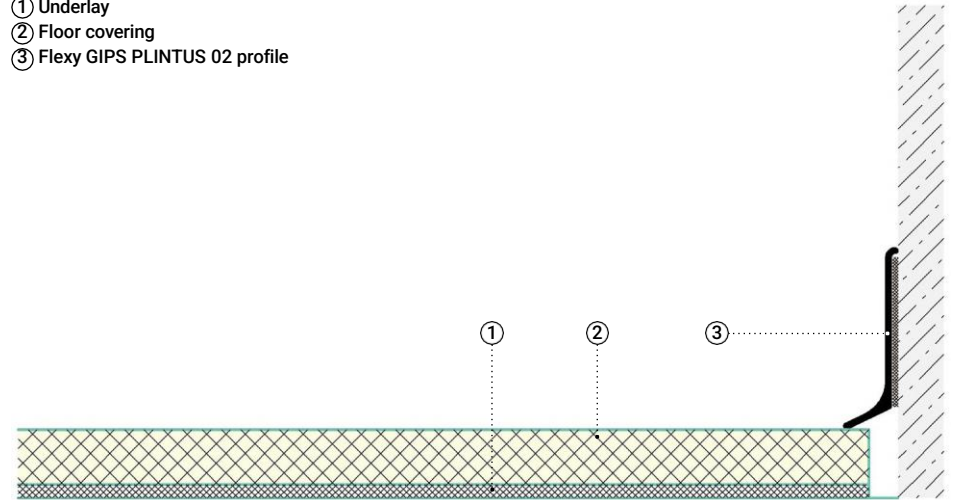
glue

Flexy GIPS PLINTUS 02

Flexy GIPS | Baseboards

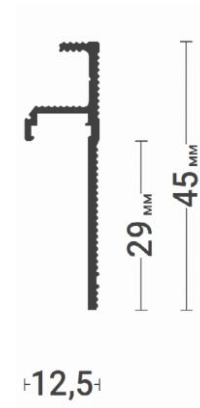


- ① Underlay
- ② Floor covering
- ③ Flexy GIPS PLINTUS 02 profile



INSTALLATION

1. Perform finishing.
2. Lay floor covering ② on underlay ①.
3. Attach the Flexy GIPS PLINTUS 02 profile ③ with mounting adhesive to the profile.



PLINTUS 03

Flexy GIPS

Shadow profile for plinth.

Profile color



Profile length, mm

2000

Plasterboard thickness, mm

9,5
12,5

Connecting

glue

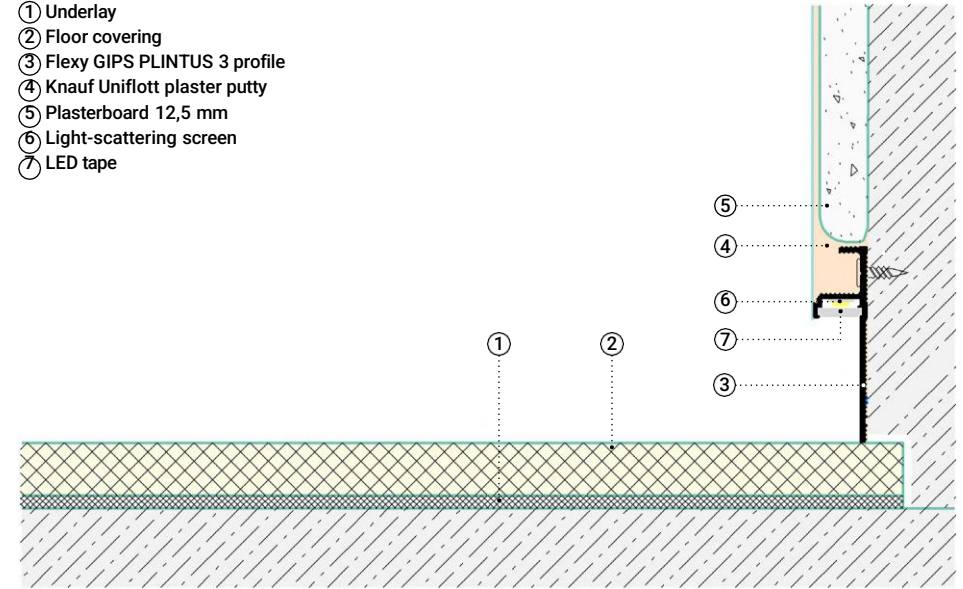
Flexy GIPS PLINTUS 03

Application 1. Skirting board with a shadow gap for walls lined with plasterboard sheets.



Flexy GIPS | Baseboards

- ① Underlay
- ② Floor covering
- ③ Flexy GIPS PLINTUS 3 profile
- ④ Knauf Uniflott plaster putty
- ⑤ Plasterboard 12,5 mm
- ⑥ Light-scattering screen
- ⑦ LED tape



INSTALLATION

1. Attach Flexy GIPS PLINTUS 03 (3) profile with mounting adhesive and self-tapping screws.
2. Attach the plasterboard (5) to the wall.
3. Fill the joint between the profile and the plasterboard with KNAUF Uniflott plaster putty (4).
4. Perform finishing.
5. Lay floor covering (2) on underlay (1).
6. If desired, connect the LED tape (7) and insert the light-scattering insert (6).



Vesse 3, Tallinn, Estonia

info@premiumdesign.ee

www.premiumdesign.ee

www.premium-design.ee

tel. +372 5333 3789

tel. +372 5323 3446